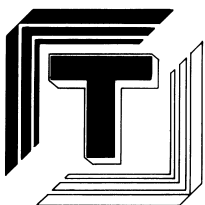


TELLEFSDAL AUTO WRAP 1804 S



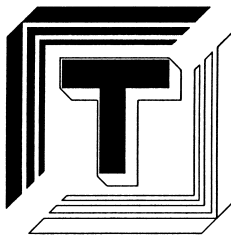
04-2000. Fra serienr.: 190002

USER'S MANUAL SPARE PARTS LIST



TELLEFSDAL A.S

Fiane, N - 4993 SUNDEBRU, NORGE - NORWAY - NORWEGEN
Tlf. (+47) 37 11 92 00 * Fax (+47) 37 15 85 40



**SAMSVARSERKLERING
DECLARATION OF CONFORMITY
EG-KONFORMITÄT SERKLÄRUNG**

Vi / We / Wir:

TELLEFSDAL A.S

P.B. 33, N-4993 SUNDEBRU
NORGE, NORWAY, NORWEGEN,
Telefon: (+47) 37 15 80 00 Telefax: (+47) 37 15 85 40

Erklærer på eget ansvar, at følgende produkt:

declare, on our own responsibility, that the following products:

AWTO-WRAP 1804 S/SE

erklären in alleiniger, Verantwortung dass das Produkt:

med produksjonsnummer:

with production serial number:

mit produktionsnummer:

som dekkes av denne erklæringen, er i overensstemmelse med bestemmelsene i:

covered by this declaration, conform(s) to:

auf die sich diese Erklärung entspricht, den einschlägigen grundlegenden Sicherheit- und Gesundheitsforderungen der:

Forskrift om maskiner, best. Nr 522, som gjennomfører europeisk lovgivning om maskiner gitt i rådsdirektiv 89/392/EØF av 14. Juni 1989, endret ved Rådsdirektiv 91/368/EØF av 20. Juni 1991

CEE directive 89/392/EC, amended by CEE directive 91/368/EC of 21 June 1991

EG-Richtlinie 89/392/EWG
Geändert EG-Richtlinie 91/368/EWG

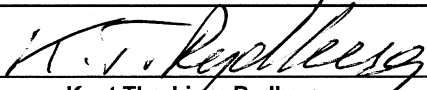
De(t) overnevnte produktet(er) er i samsvar med følgende harmoniserte standarder, som imøtekommer de generelle krav til helse, miljø og sikkerhet:

The above product(s) confirm to the following harmonised standards, which meet general health, safety and environmental standards:

Zur sachgerechten Umsetzung der in den EG-Richtlinien genannten Sicherheits- und Gesundheitsforderungen wurden folgenden Normen heran-gezogen:

NS-EN 292-1, 11-1991
NS-EN 292-2, 11-1991
NS-EN 294, 11-1992
NS-EN 349, 06-1993
NS-EN 418, 12-1992
prEN 1050, 03-1993
EN 50082-1

Fiane, 04-2000


Knut Thorbjørn Rydberg
Fabrikksjef/ Plant Manager/ Fabrikkeiter

USER'S MANUAL

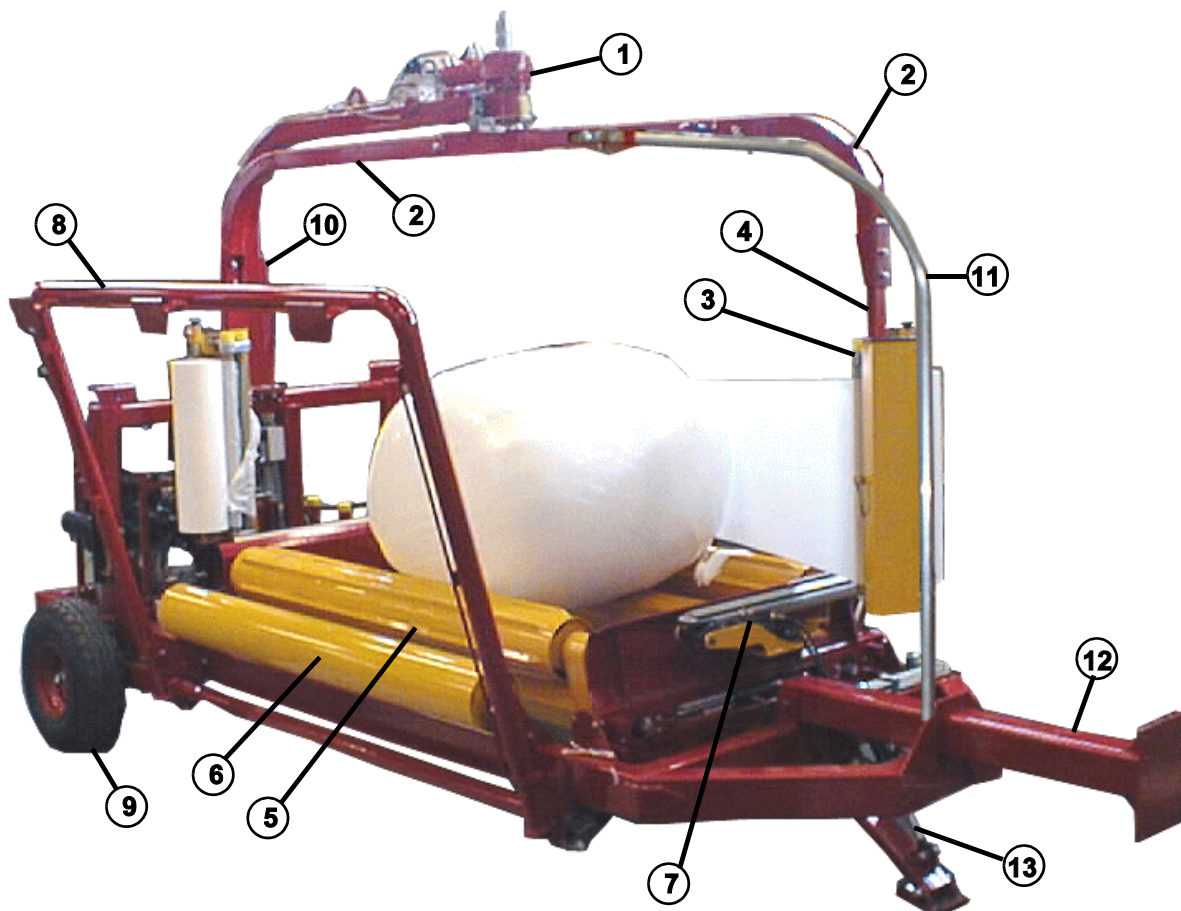
AUTO WRAP 1804 S

CHAP.	CONTENTS	PAGE
1.0	INTRODUCTION	3
2.0	SAFETY PRECAUTIONS	4
3.0	SETTING UP / MOUNTING OF THE MACHINE	10
4.0	MOUNTING OF PLASTIC FILM	12
5.0	EMERGENCY STOP*	13
6.0	CONTROL BOX	14
7.0	SPEED SETTING OF THE WRAPPING ARM	18
8.0	ADJUSTING THE OVERLAP	19
9.0	OPERATION INSTRUCTION	20
10.0	PERIODIC MAINTENANCE	22
11.0	CHECK POINTS FOR TROUBLE SHOOTING	24
12.0	HYDRAULIC CHART	26
13.0	WARRANTY TERMS	28

AUTO WRAP 1804 S

Bale wrapping machine

1. Motor for sveivarm
2. Sveivarm
3. Forstrekker
4. Forstrekker arm
5. Ruller for firkantballer
6. Tipprull
7. Kniv
8. Fallramme
9. Hjul
10. Tårn
11. Sikkerhetsbøyle
12. Drag bjelke
13. Støttefot



1. Wrapping arm motor
2. Wrapping arm
3. Prestretcher
4. Prestretcher arm
5. Rollers for square bales
6. Tip roller
7. Cutter
8. Fall frame
9. Wheel
10. Stationary arm
11. Safety arm
12. Drag beam
13. Support foot

1. Wickelarm-Motor
2. Wickelarm
3. Vorspanner
4. Vorspannerarm
5. Tragwalzen für Vierkantballen
6. Kippwalzen
7. Messer
8. Fallrahmen
9. Radwelle
10. Turm
11. Notstopbügel
12. Deichsel balken
13. Stützfuß

1.0 INTRODUCTION.

TELLEFSDAL A.S congratulates you with the choice of AUTO WRAP bale wrapping machine. We are certain you will be satisfied with the machine, and that you will have the pleasure of your investment for many years.

AUTO WRAP 1804 S is hydraulically driven by its motor. The remote control unit is easy to use and the functions are clearly marked.

The AUTO WRAP 1804 S is equipped with a patented, special mounting for the rollers, which enables the machine to wrap square bales.

The AW 1804 S can wrap both square and rectangular bales, from 60 x 60 to 120 x 120 x 190 cm. It can take bales of up to 1500 kg. It can also wrap round bales of up to \varnothing 1500 mm.

The AW 1804 S can be supplied as a TWIN model, i.e. the machine is equipped with two prestretchers and two cutters. This gives the machines a significantly increased capacity. The machine is developed and has been improved since the beginning in 1999, and is now a very reliable and safe machine with high security built in.

This manual is meant to explain how AUTO WRAP 1804 S is prepared, mounted, used and how it works, and along with the spare part's list be a reference for maintenance and troubleshooting. So take good care of the book, it is a part of the machine.

Read carefully through this manual, and **specially chapter 2.0, safety instructions**, before starting the machine, and follow the instructions thoroughly. If problems should occur, ask your dealer for advice before you make the problem worse than it is. See also chapter 13.0, conditions of warranty.

AUTO WRAP	1804 S	1804 S TWIN
Height in working position	2960 mm	2960 mm
Width, min. / max.	2440 / 3215 mm	2440 / 3215 mm
Length, min. / max.	2540 / 3425 mm	2540 / 3425 mm
Weight	2460 kg	2560 kg
Wrapping arm speed, recom.	22 rev. per minute	22 rev. per minute
Wrapping arm speed, max.	27 rev. per minute	27 rev. per minute
Wheel size / max. air pressure	10,0/80-12BL 4,2bar	10,0/80-12BL 4,2bar
Bale size, max.	120x120x190	120x120x190
Bale weight, max.	1500 kg	1500 kg
Capacity	Approx. 40 bales per hour	Approx. 40 bales per hour
Prestretcher	750 mm	750 mm
Oil pressure / amount, min.	150 bar / 25 litres/minute	150 bar / 25 litres/minute
Electric connection	12 V DC	12 V DC

TELLEFSDAL A.S reserves the right to alter the product and/or its technical specifications without prior notice, and without this entitling any alterations to previously supplied products.

© All rights in pursuance of the Copyright Act shall apply, and any reproduction of the contents of this booklet, in whole or in part, is forbidden without the permission of TELLEFSDAL A.S.

Reservation is made for possible printing errors.

2.0 SAFETY PRECAUTIONS.

TELLEFSDAL A.S does not take the responsibility for damages that may occur on machine, persons or other equipment, because of the machine NOT being used as described in this manual, or because of the safety precautions NOT being followed.

2.1 SAFETY EQUIPMENT.

Before using the machine, make sure that all guards and covers are securely fitted. The machine must not be operated if a function does not work as described later in this manual. (See chapter 2.4).



The Auto Wrap 1804 S / TWIN models are equipped with an "EMERGENCY STOP" on the wrapping arm. This device stops all functions instantly, but is by definition not an emergency stop, because it does not interrupt the feed. Nevertheless it has an equivalent function, so we have decided to call it an EMERGENCY STOP in this book.

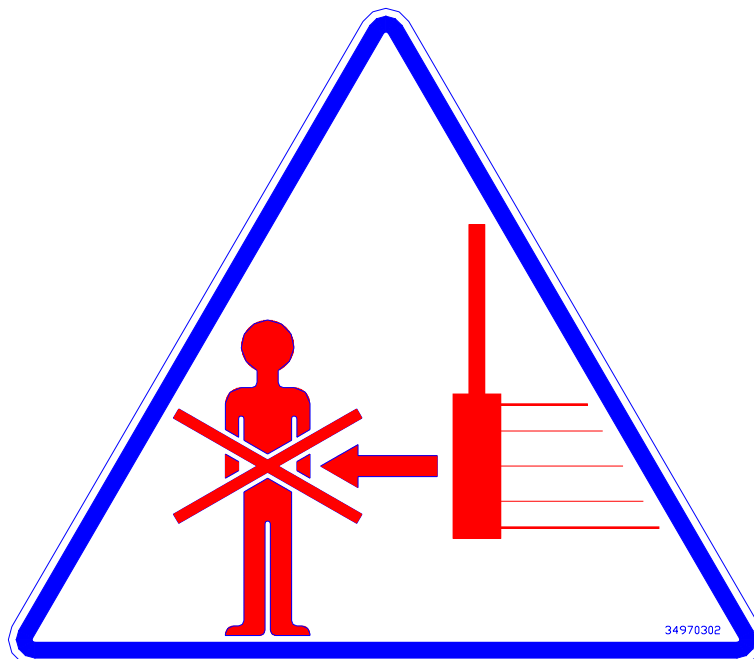
2.2 BECOME FAMILIAR WITH THE OPERATIONS OF THE MACHINE.

If you are unsure how to operate the machine properly, either use of or maintenance to your Auto Wrap, please contact your Auto Wrap dealer.

2.3 IMPORTANT!

MAKE ALWAYS SURE THAT NOBODY IS IN THE HAZARD AREA OF THE WRAPPING ARM WHEN THE MACHINE IS IN USE.

THE MACHINE MUST NEVER BE OPERATED BY PERSONS WHOM DOES NOT KNOW ENOUGH ABOUT HOW TO SAFELY OPERATE THE MACHINE, OR BY PERSONS UNDER 16 YEARS OF AGE.



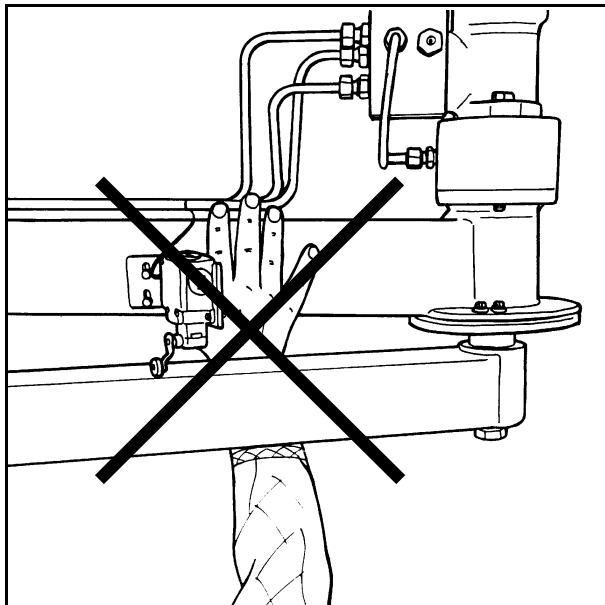


Fig. 2-2

2.5 DANGEROUS AREAS.

TELLEFSDAL A.S has given the safety to the operator the highest priority, but it is still impossible to secure oneself of every danger area on the machine. Therefore we will now go through some of the dangers that can occur when using the Auto Wrap balewrapper.



1. PUNCH OF THE WRAPPING ARM.

During the wrapping process the arm rotates with a speed of 20-27 revolutions per minute around the bale. On the arm there is mounted a prestretcher unit with a plastic roll. The prestretcher's speed can give a person serious injuries if one comes too close to the working area of the wrapping arm. To reduce this danger we have mounted an emergency stop* device on the wrapping arm, this stops all movement instantly when someone comes in the way of it. **It is very important that this protection always works and that it should not under any circumstances be disconnected.**

(See more about the emergency stop* in chapter 5.0).



2. SQUEEZE-DANGER BETWEEN THE MAIN FRAME AND THE WRAPPING ARM.

As earlier explained, we have a wrapping arm with a prestretcher and a plastic roll. Once every time around this wrapping arm passes the main frame. Here there may occur a squeeze danger if a person stands too close to the main frame when the wrapping arm passes. The distance between the main frame and the wrapping arm is not large enough to give place for a person. Between the prestretcher and the bottom frame there can also be a squeeze danger.



3. SQUEEZE-DANGER BETWEEN THE STATIONARY AND THE WRAPPING ARM.

During the main wrapping process the wrapping arm moves around a stationary arm. Every time the wrapping arm passes the stationary arm, there is a squeeze danger that can be dangerous for the fingers. The distance between the stationary and the wrapping arm is between 25-40 mm. (See fig. 2-2).



Fig. 2-3



- 4. SQUEEZE DANGER BETWEEN THE ROLLERS AND THE MAIN FRAME.**
When adjusting the width of the rollers there is a danger of being squeezed. Keep away from this area, fingers and feet also. (See fig. 2-3).

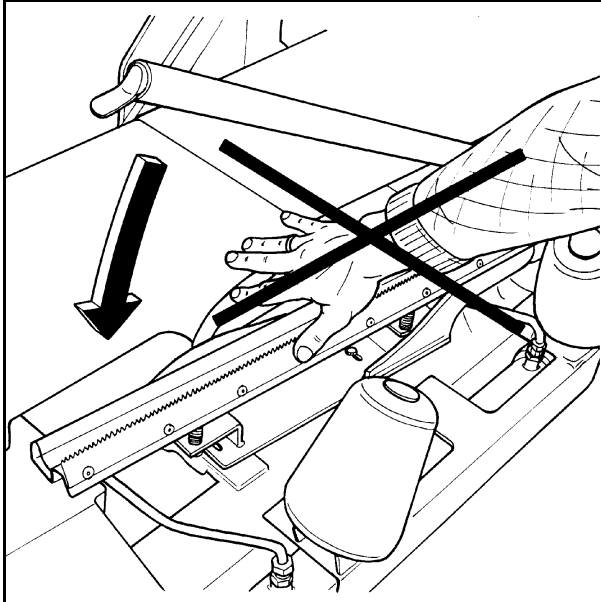


Fig. 2-5

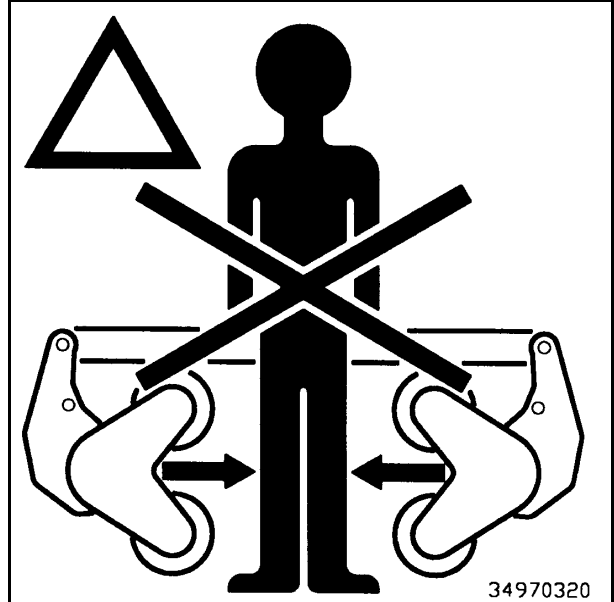


Fig. 2-6



5. **SQUEEZE DANGER CAUSED BY PLASTIC AUTOMATION.**

At the end of the wrapping process the plastic shall be perforated and held tight until the start of the next wrapping process. When the cutter arm moves down to lock the plastic, there can occur a squeeze danger between the cutter arm and the cutter holder. The cutter blade that perforates the plastic is very sharp, so keep hands away from the cutter. (See fig. 2-5).



6. **SQUEEZE DANGER BETWEEN THE ROLLERS.**

When the rollers on the machine are moved together, there is not enough space for a person between the rollers. Here there is a danger of being squeezed, so make sure that nobody is between the rollers when they are moved together. (See fig. 2-6).

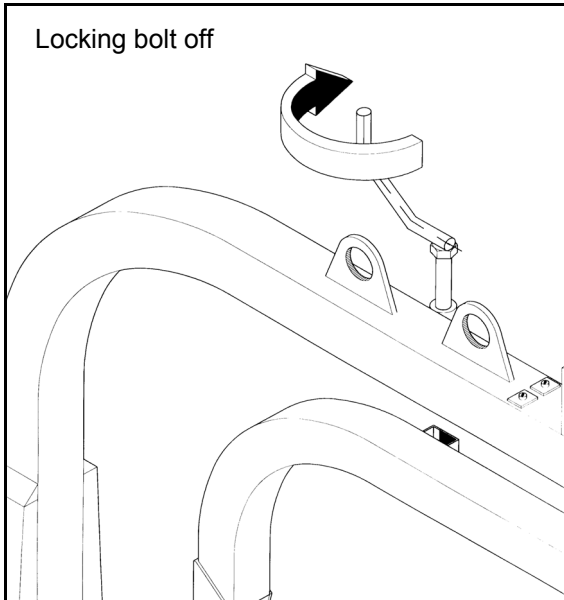


Fig.2-7a

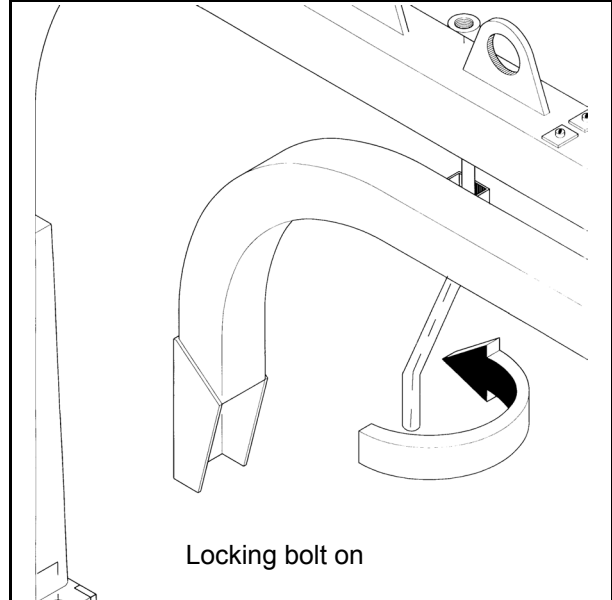


Fig. 2-7b

2.5 LOCKING THE WRAPPING ARM.

When the machine is not in use, make sure the locking bolt for the wrapping arm is mounted. If the bolt is not mounted, the wrapping arm and/or the machine could be damaged during transport. (See fig. 2-7).



Connecting heavy working implements often has an overall negative effect on the tractor's driving and braking capacity.



2.6 TRANSPORTING.

When transported on a public road there are certain safety measures that must be taken:

1. Move the wrapping arm in under the davit in the transport position by pressing "STOP" and keeping it pressed in.
2. For locking and disengaging the wrapping arm during transportation, ensure that the locking bolt for the wrapping arm is fitted. (See section 2.5 and fig. 2-7.)
3. Move the main rollers completely together.
4. Always transport the machine in the lowest possible position.
5. Make sure that the machine does not cover the tractor's lights. If necessary, mount extra lights.

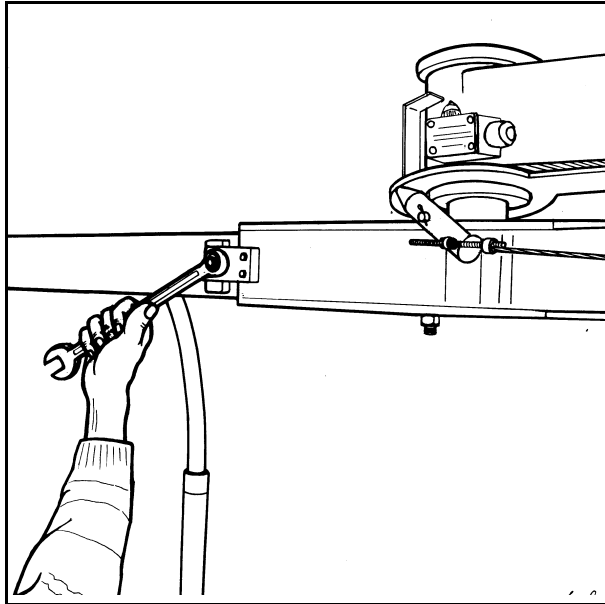


Fig. 2-8

2.7 SPECIAL INSTRUCTIONS FOR AUTO WRAP 1804 S TWIN

These machines must be prepared for transport in a slightly different way:

1. Move the main wrapping arm in under the davit in the transport position by pressing "**STOP**" and keeping it pressed in.
2. For locking and disengaging the wrapping arm during transportation, ensure that the locking bolt for the wrapping arm is fitted. (See section 2.5 and fig. 2-7.)
3. Loosen the fixing screws for the locking plate which secures the second wrapping arm in the working position. Then swing the arm in towards the davit. (See fig. 2.8.)

(See also sections 3 to 5 for the standard machines)

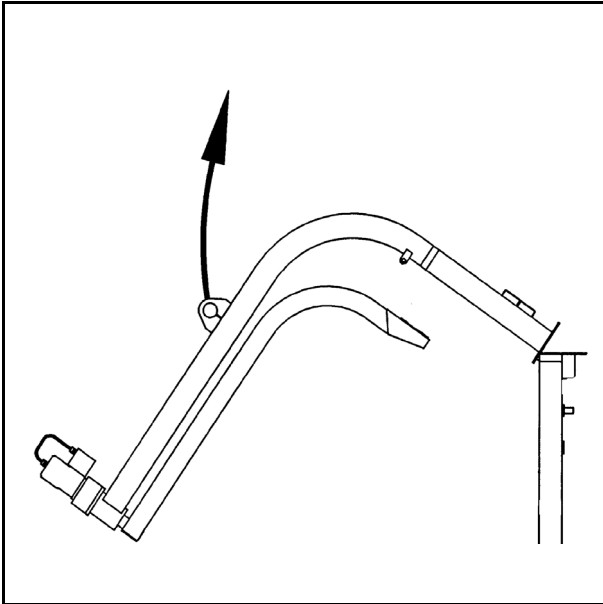


Fig. 3-1

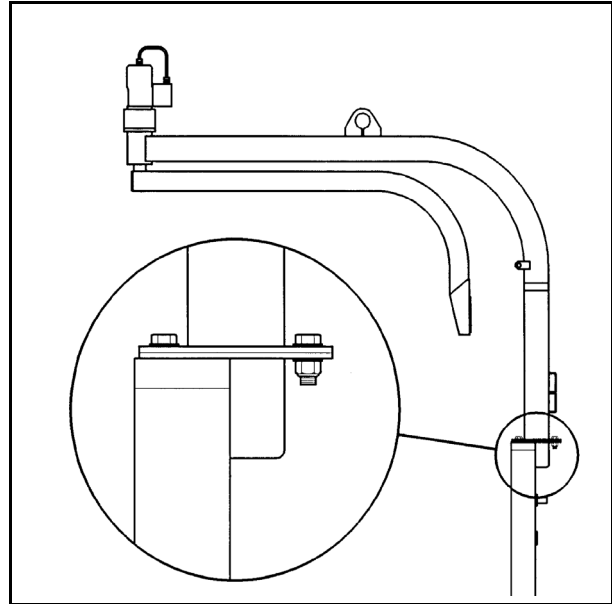


Fig. 3-2

3.0 SETTING UP / MOUNTING OF THE MACHINE.



Be careful! There is a danger of being crushed when working implements are fitted and connected. Carry out the fitting procedures slowly and carefully, and use separate and approved lifting equipment to make the work easier. See section 2 on safety regulations and pay attention to the various safety decals displayed on different parts of the bale wrapper.

3.1 HINGED TOWER.

Because of the freighting of the machine, AUTO WRAP 1804 S is sometimes delivered with the tower hinged down. The bracing clamps have to be fitted on each side of the davit. Fit the lower fixing screws for the clamps (8 screws size 12 x 140). In some cases it may be necessary to adjust the tower so that the tower and the rollers are right angle parallel.

SCREW IN SECURELY and after several hours' use, tighten all the screws once again.

Before use, the tower must be lifted up and fastened with 5 pcs. 16mm bolts. (Figure 4-1 shows the machine at delivery).

Remove all packing strips and lift up the tower. Use a crane or the front-loader on the tractor and lift in the liftingpoint at the top of the machine. (See arrow). Then mount the 5 pcs. M16 x 55 bolts with washers and lock nuts.

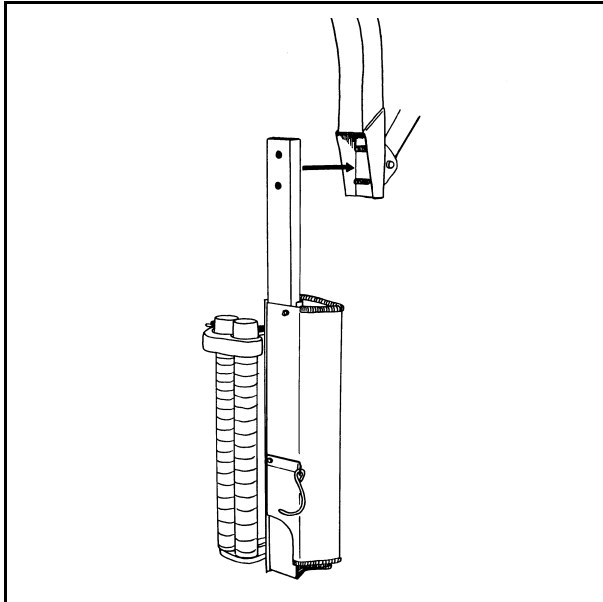


Fig. 3-4

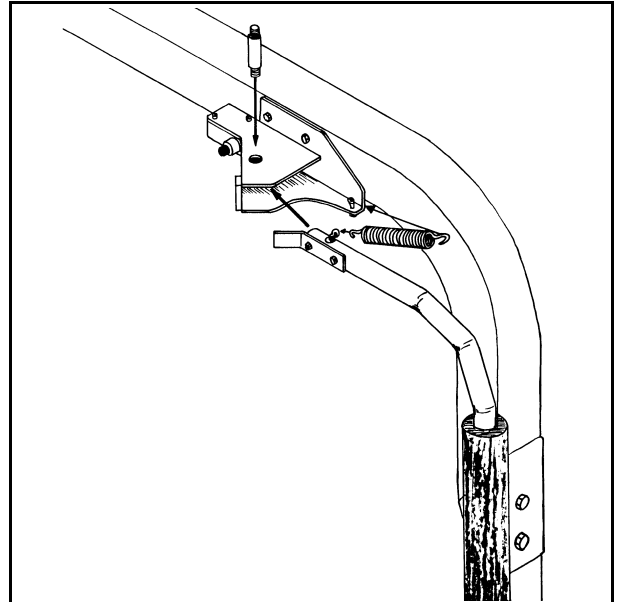


Fig. 3-5

3.2 MOUNTING OF PRESTRETCHER.

It is to be fastened with the same 2 bolts that the locking bracket is fastened with. (You don't have to remove the locking bracket). Remove the nuts and mount the prestretcher and the wrapping arm.

3.3 MOUNTING OF EMERGENCY STOP* ARM.

The machine is equipped with emergency stop-arms on each of the prestretchers.

The releasing arm for the emergency stop component must be mounted.

Put the arm into the bracket and mount the hinge bolt. Replace the washers and tighten the locking nuts. (See fig. 3-5).

The return spring is to be fastened between the eye bolt on the arm and the eye bolt on the bracket.

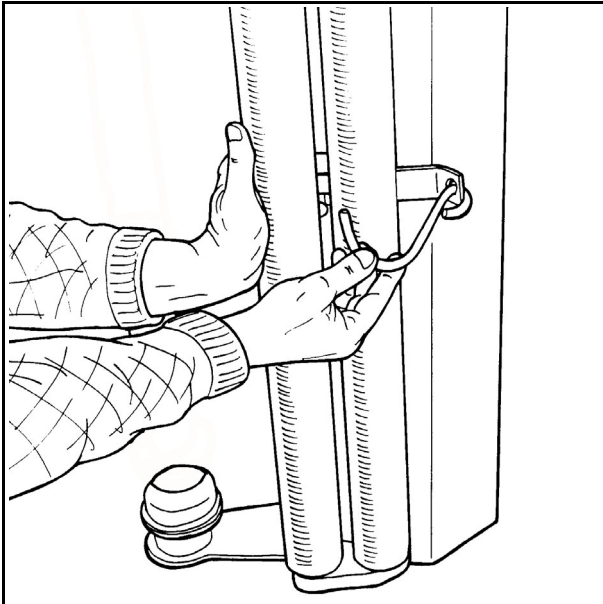


Fig. 4-1

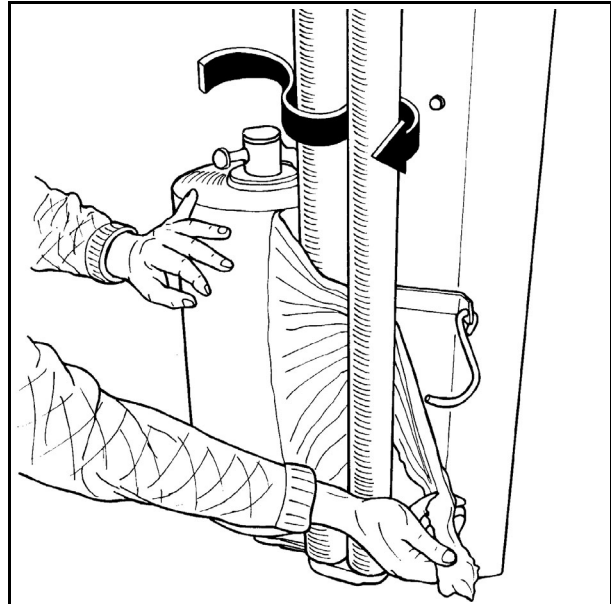


Fig. 4-2

4.0 MOUNTING OF PLASTIC FILM.

- 4.1 When the plastic roll shall be mounted, you have to hold the prestretcher-rollers aside, Hold the rollers aside and put on the holding hook. (See fig. 4-1).
- 4.2 Place a reel of film on to the prestretcher's holding axle and put on the springloaded lock. On delivery the prestretcher is set for the 750mm film, the top bracket may be moved down enabling the use of the 500mm film. (See fig. 4-3).
- 4.3 Pull the film between the rollers on the prestretcher in the direction of the arrow. (See fig. 4-2). (See also the sign on the wrapping arm).
- 4.4 The filmholder / cutter is opened, pull out the film and place it over the U-shaped slot.
- 4.5 The cutter is closed, and the film will be held in place.

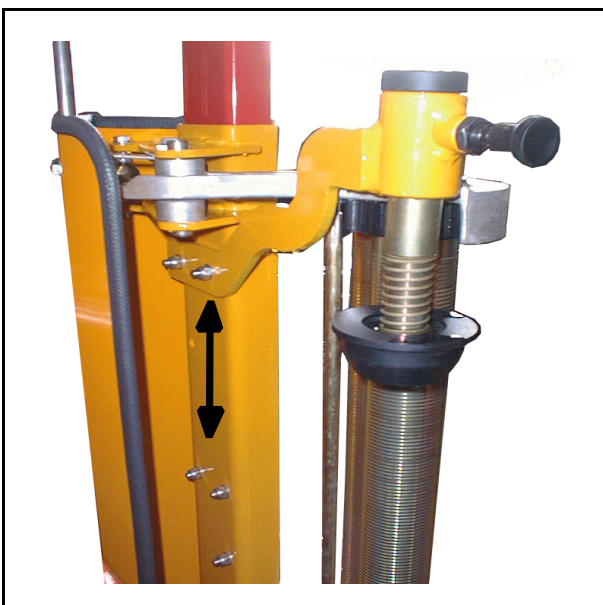


Fig. 4-3

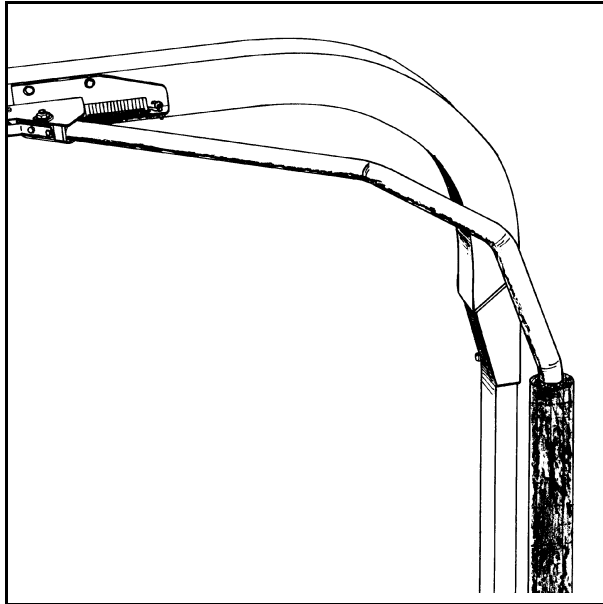


Fig. 5-1

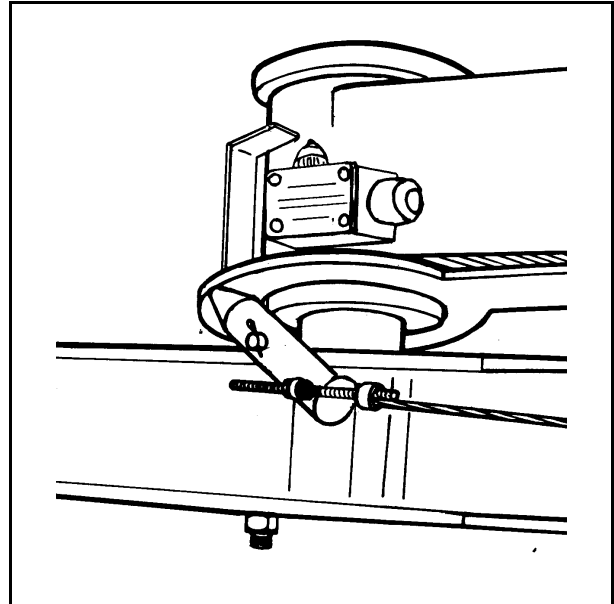


Fig. 5-2

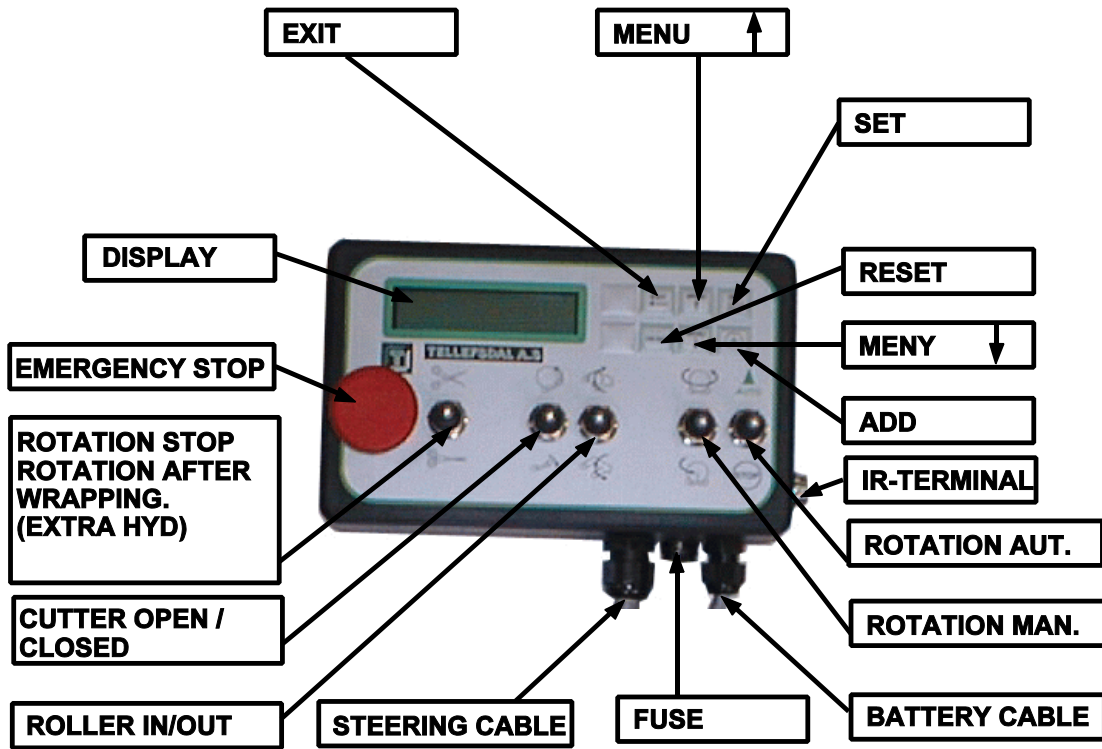
5.0 EMERGENCY STOP.

- 5.1 The machine is equipped with a safety guard on the wrapping arm, and its operation must be tested before work itself is started.
- 5.2 The safety guard is designed to stop the wrapping arm injuring operators or objects, when starting up or during the wrapping process.
- 5.3 The emergency stop* is constructed with a "positive" connection, i.e. it has to be in full order before the machine can be started.
- 5.4 This consists of a release guard which is connected by a wire to the lever arm, and this activates a small electrical switch via a sliding contact (14, fig. 5-2).
If the electrical circuit is broken, the hydraulic oil flow is cut off and all functions stop immediately. This is indicated on the control box display by three illuminated dots.
- 5.5 Before use, this function must be tested. Start the wrapping arm, hold out an arm or any obstacle, the wrapping arm stops before hitting.
- 5.6 To restart the machine the obstacle must be removed and the safety guard must return to its original position. If "**STOP**" is pressed before "**START**", the wrapping continues from the point in the program at which the emergency stop was activated. If, on the other hand, "**STOP**" is pressed before "**ZERO**", then the wrapping sequence starts from the beginning again.
(See more in section 7.)

6.0 CONTROL BOX FUNCTIONS.

6.1-1 FUNCTIONS

Arm model.



7.1-2 PROGRAMMING
Arm model.

Auto-wrap Controlbox 2000

16 mars 2000 JH

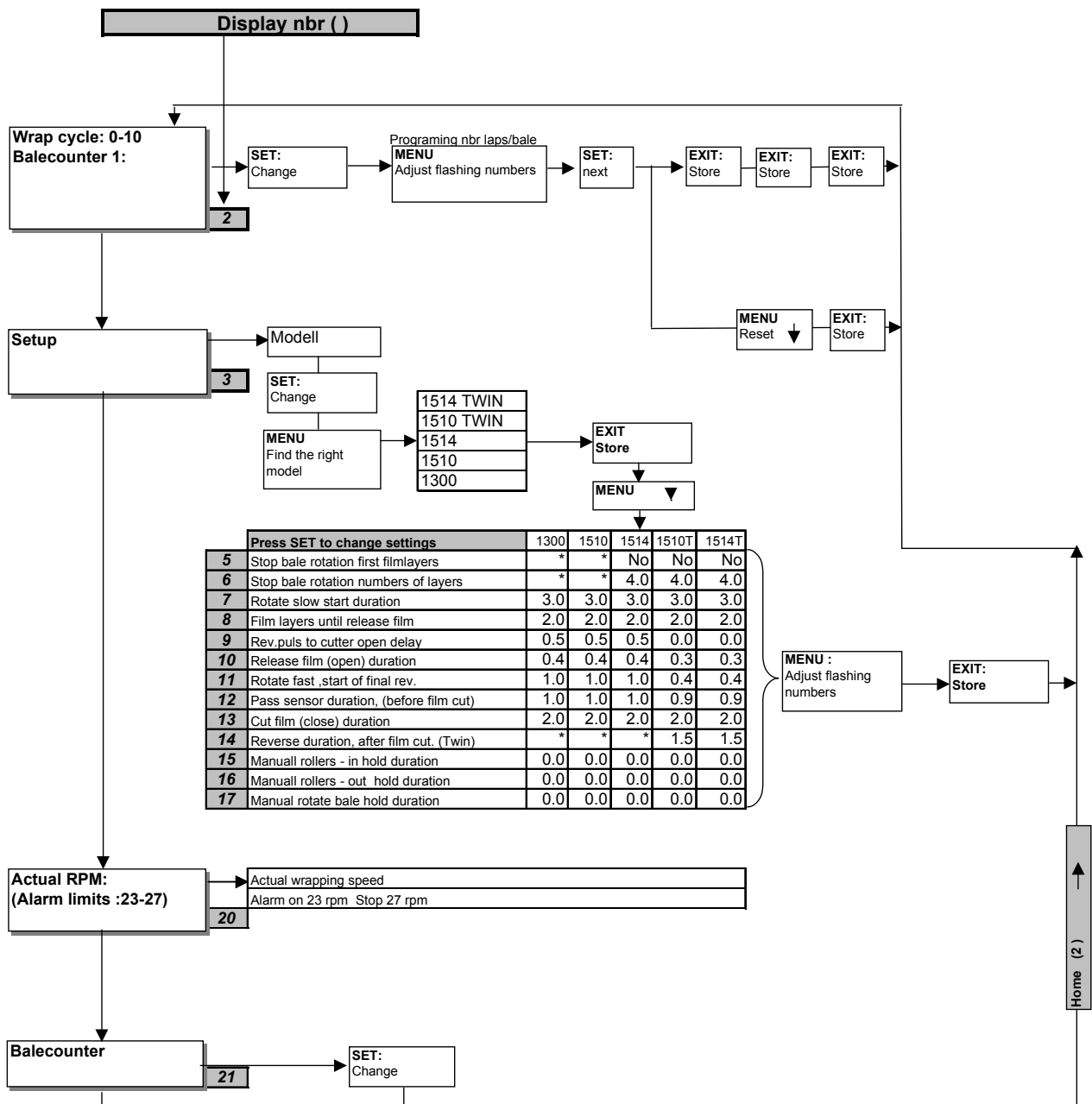
2. Programming

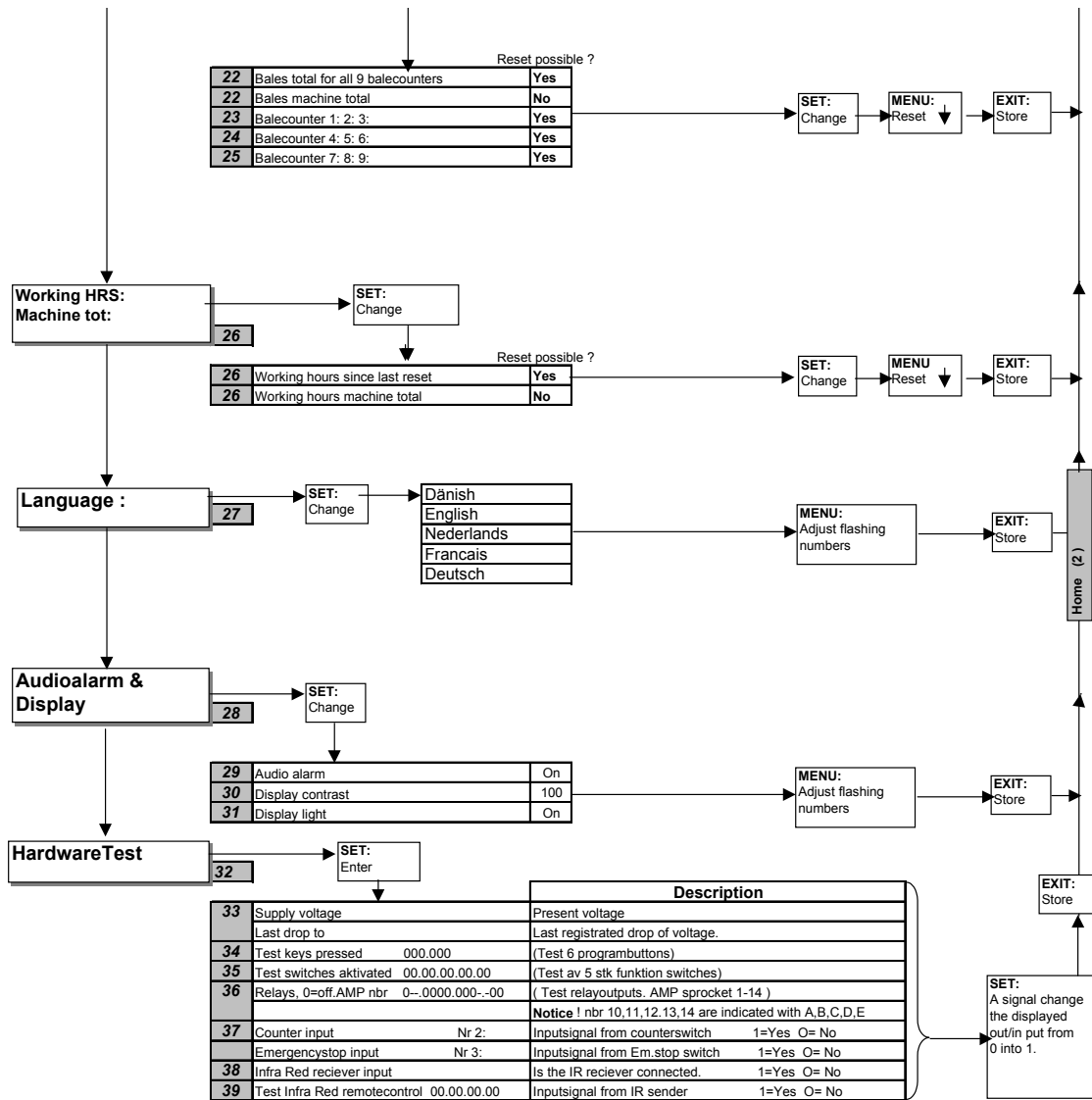
Notice:

By pressing "EXIT" more than 3 sek.you allways will be brought back to "Wrap-cycle" (Wrapp modus)
By pressing "MENU" more than 3 sek, the display contrast will be adjusted. "MENY" up = Stronger MENY down = weaker

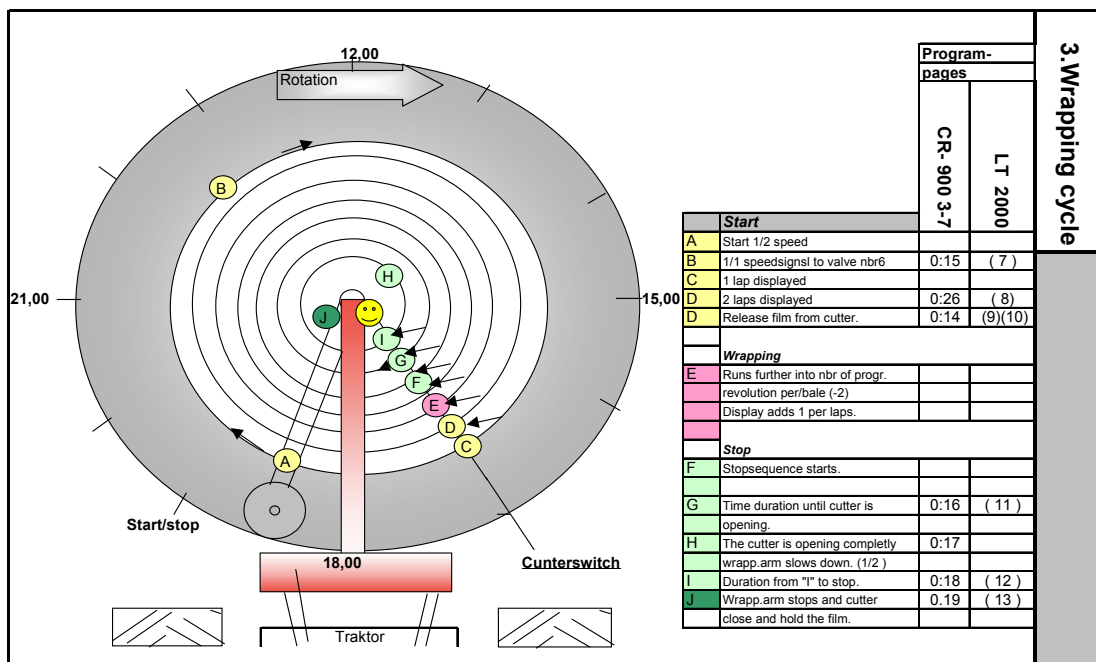
Manual operation

Behind the rubberplug on the the rear side of the control box it is placed a switch for manual/automatic operation.
Please notice that the display does`nt work in manuel modus.





6.1-3 WRAPPING CYCLE
Arm model.



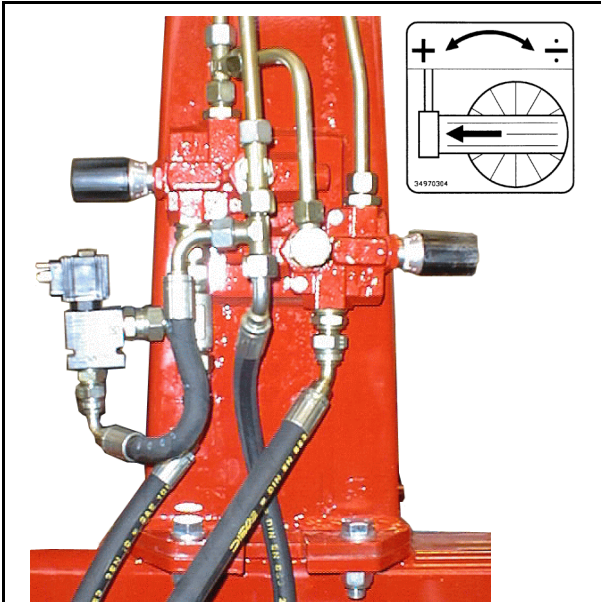


Fig. 7-1

7.0 SPEED-SETTING OF THE WRAPPING ARM.

- 7.1 Start the motor, let it run at approx. 2400 revolutions per min. The oil flow to the packing machine is adjusted with the use of two control valves which are situated behind the machines "neck". [see fig. 7-1]
- 7.2 The control valve on the right-hand side, is for adjustment of the wrapping arm speed.
- 7.3 Adjust the wrapping arm speed to approx. 22 revolutions per minute. (Just below three seconds per revolution.) The adjustment is carried out by turning the wheel on the control valve. Turning **clockwise REDUCES** the speed and turning **counterclockwise INCREASES** the speed. It is recommended not to wrap with higher speed than 22 revolutions per minute, because then the plastic film will "catch" more air, this air can then not escape from the bale. The result is poor quality fodder.

OBS! Max. allowed wrapping arm speed is 27 revolutions per minute.

REMEMBER!

Increased speed of tractor engine do not increase the wrapping speed, it only increases the oil flow into the system and by that also the temperature in the hydraulic system.

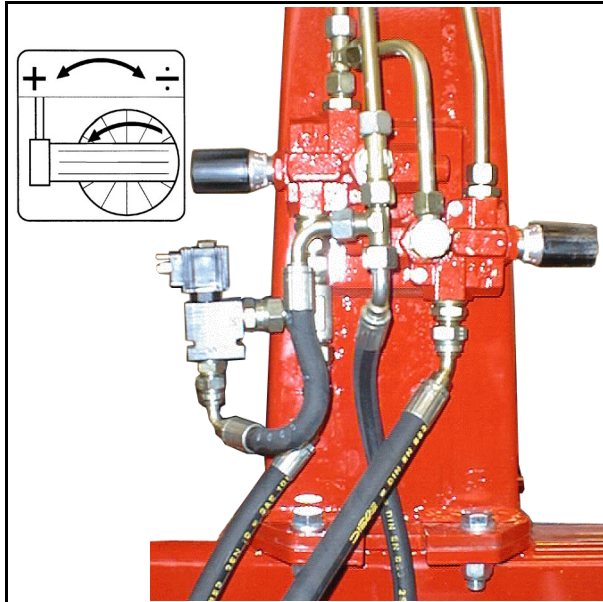


Fig. 8-1

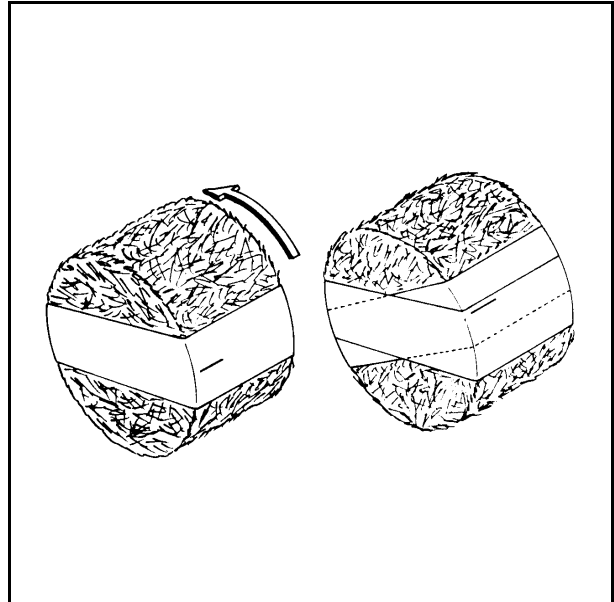


Fig. 8-2

8.0 ADJUSTING THE OVERLAP.

8.1 WRAPPING ARM SPEED.

Load a bale on to the machine. To be able to adjust correct overlap, check that the wrapping arm has a speed of approx. 22 revolutions per minute. If not, adjust this by turning the control valve for wrapping arm speed. (See chapter 7.3). When the wrapping arm speed is OK, you can set the overlap.

8.2 OVERLAPPING.

Use a black marker to mark a line on the middle of the film wrapped on the bale. Adjust the control valve for roller speed, (see fig. 8-1), so that the marker line is just covered. Approx. 52-53% is the ideal overlap. (See fig. 8-2).

This adjustment can be kept as long as you wrap bales with approx. same diameter. When changing bale size, control the overlap.

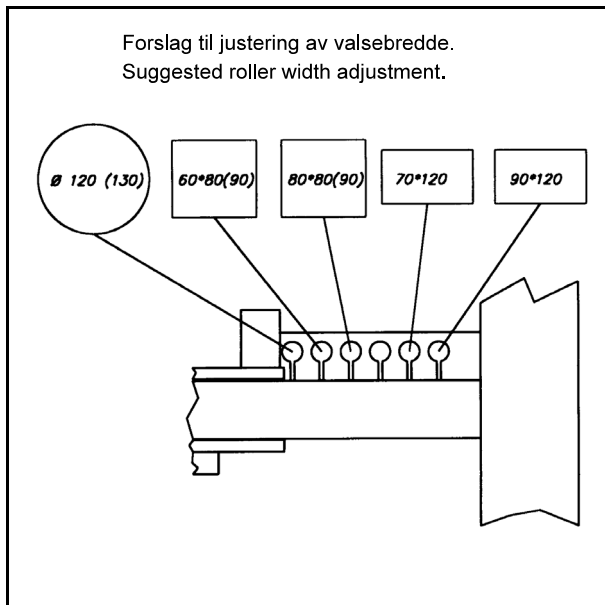


Fig. 9-1

9.0 OPERATION INSTRUCTION.

We shall now go through a complete wrapping process, from loading to storage place, and explain the practical use of Auto Wrap 1804 S.

9.1 WRAPPING SQUARE BALES.

- a) Minimum recommended bale size is 60 x 60 cm. If you wish, you can place two bales on top of each other, and wrap them together as a bale of 120 x 90 cm. (Max. bale size is 120 x 120 cm).
- b) When wrapping rectangular bales, (e.g. 70 x 120 cm), the bale will rotate with uneven speed. To get a smoother wrapping, or if you want more film on the long sides of the bale, it is possible to mount an extra hydraulic valve that stops the rotation of the bale while the wrapping arm continues to go.
- c) Sometimes it can be necessary to move the width between the rollers while wrapping. This is most common when wrapping bad shaped and loosely pressed bales. If the machine has problems rotating the bale, you can move the rollers in or out with the **ROLLER OUT** or **ROLLER INN** with the control box while wrapping. Suggested roller width adjustment, (see fig. 9-1).

9.2 START.

Remember that the plastic film end has to be locked in the U-shaped slot before starting the wrapping. When the plastic film end is in the slot, push "**AUTO**", and the wrapping arm now moves at ½ speed for approx. one half revolution before it automatically switches to full speed. This is to avoid damage of the film when starting. When the wrapping arm has done a couple of revolutions, the cutter-arm automatically releases the film end. (See also chapter 6).

9.3 OVERLAP.

Control that the overlap is correct. If not, see chapter 8.0.

9.4 HOW MANY LAYERS OF PLASTIC FILM?

When the bale is completely covered with film, read the counter that displays the number of revolutions done by the wrapping arm. This number has to be multiplied by 2 or 3, depending on how many layers of film you want to have.

- * 4 layers - multiply by 2.
- * 6 layers - multiply by 3.

As long as you wrap bales with the same diameter, you can stop at the same number every time.

9.5 **STOP.**

When the required number of revolutions is obtained, push the “**AUTO**”-button. The wrapping arm will now rotate 1-2 revolutions, the cutter moves up, the arm speed is reduced and it stops at the right place for next wrapping cycles. Then the cutter closes automatically, and the film is held tight in the U-formed slot and perforated. The bale is now completely wrapped and will automatically off loaded with the function rotation of bales. (Se more in chap.6.0)

10.0 PERIODIC MAINTENANCE.

10.1 BEARINGS.

All ball-bearings are packed with grease, and do not need any more maintenance.

10.2 PRESTRETCHER.

If the machine is in daily use, the guiding sleeves at the prestretcher should be oiled once a week or when needed. Sprockets and bearings on the prestretcher should also be oiled when needed.

10.3 CUTTER / FILM HOLDER.

The cutter / film holder is preadjusted from the factory and does not need further adjustments. When replacing spares it may be necessary to re-adjust. The springs for the U-shaped slot must be adjusted so that they are almost completely squeezed together when the cutter-arm is all the way down. If the cutter arm must be adjusted take care so that the arm meets in the middle of the u-shaped slot and that the cutter arm does not squeeze the springs completely together.

10.4 LINK BEARINGS.

The link bearings between the main frame and roller arms must be greased once a week or, as, required.

10.5 GEAR OIL. (Applies only to TWIN machines.)

The oil in the gears of the wrapping motor must be changed after the first 100 hours of operation, and then every 2,000 hours or at least once a year. Fill up with new oil, the quantity being about 0.25 litres. Use EP gear oil in the viscosity group VG 150 (ISO 3448) or similar. See the table of approved oils.

TYPE OF OIL	+5° C / +40° C IV 95 min. (VG 150, ISO 3448)
AGIP	Blasia 150
ARAL	Degol BG 150
BP MACH	GR XP 150
CASTROL	Alpha SP 150
CHEVRON	Non leaded gear compound 150
ELF	Reductelf SP 150
ESSO	Spartan EP 150
I.P.	Mellana 150
MOBIL	Mobilgear 629
SHELL	Omala oil 150
TOTAL	Carter EP 150

10.6 OIL FILTER.

The oil filter must be changed once a year.

10.7 HYDRAULIC CYLINDERS.

Make sure that all hydraulic cylinders are closed when storing the machine.

10.8 CHAINS/CHAIN TIGHTENERS

After some hours' use the chains at the outer end of the rollers, on the square-bale units must be tightened. Take off the covers at the end of the rollers, loosen the bolts on the chain tighteners just a little, and turn the chain tighteners until the chains are tight enough. (No tighter than that the rollers are able to rotate easily when the motor is in neutral). Re-bolt the chain tighteners. The chains must be greased regularly. Use grease or chain saw oil. The chains should be dismantled, cleaned and greased ones a year. Place the chains in oil for 2-3 days, then hang them up to run off.

10.9 SQUARE-BALE UNIT

After a period of wrapping, grass will collect around the flanged bearings on the square-bale unit. When this becomes wet, acids can form in the grass which can damage the bearings. This grass must therefore be removed at regular intervals.

10.10 SCREWED FITTINGS

Make a general check of all screwed fittings and tighten where necessary.



Pay attention if removing the wrapping arm as this is fitted on a conical shaft journal and can therefore fall off as soon as the fixing screw is removed from the end of the shaft journal. Always secure the wrapping arm with a strap or something similar to prevent it falling off, BEFORE THE FIXING SCREW IS LOOSENED.

10.11 CLEANING.

The machine should be cleaned and oiled regularly and by the end of the wrapping season.

NOTE !

When using high pressure washing apparatus, care must be taken with the electrical installation.

Also make sure that water is not sprayed directly into the bearings, etc..

Keep the control box protected from rain and water. If necessary use compressed air to dry electrical components.

10.12 STORAGE.

The machine should be parked in a dry place during the closed season.

11.0 CHECK POINTS FOR TROUBLE SHOOTING.

11.1 GENERAL CHECK POINTS.

In this chapter we have some general check points that have to be examined first if something is wrong with the machine.

There are three basic assumptions that have to be fulfilled if the machine shall function properly:

1. The oil pressure from tractor should be 150 bar.
2. The return flow of oil has to be as free as possible, max. 10 bar counter pressure.
3. Enough electric power to all functions.

11.2 OIL AMOUNT.

The oil amount must be **approximately 25 litres / minute**,
REMEMBER! Large oil amount = Valves get hot.

11.3 ELECTRIC POWER.

It is important to check that all function gets enough electric power.
If not, some, or all functions may fall out.

Is the battery voltage high enough?

The control box display indicates the voltage being supplied if this is too low.

If the voltage falls below 10 volts this is treated as an interruption of the power supply and all functions stop.

Are the cables correctly connected to the battery?

Is the connection between battery cable and control unit OK?

Clean off the poles and check that the plug comes correct in place.

Is the connection between remote control unit and machine OK?

Change contacts if any doubt about the condition.

Is the fuse on the battery cable OK?

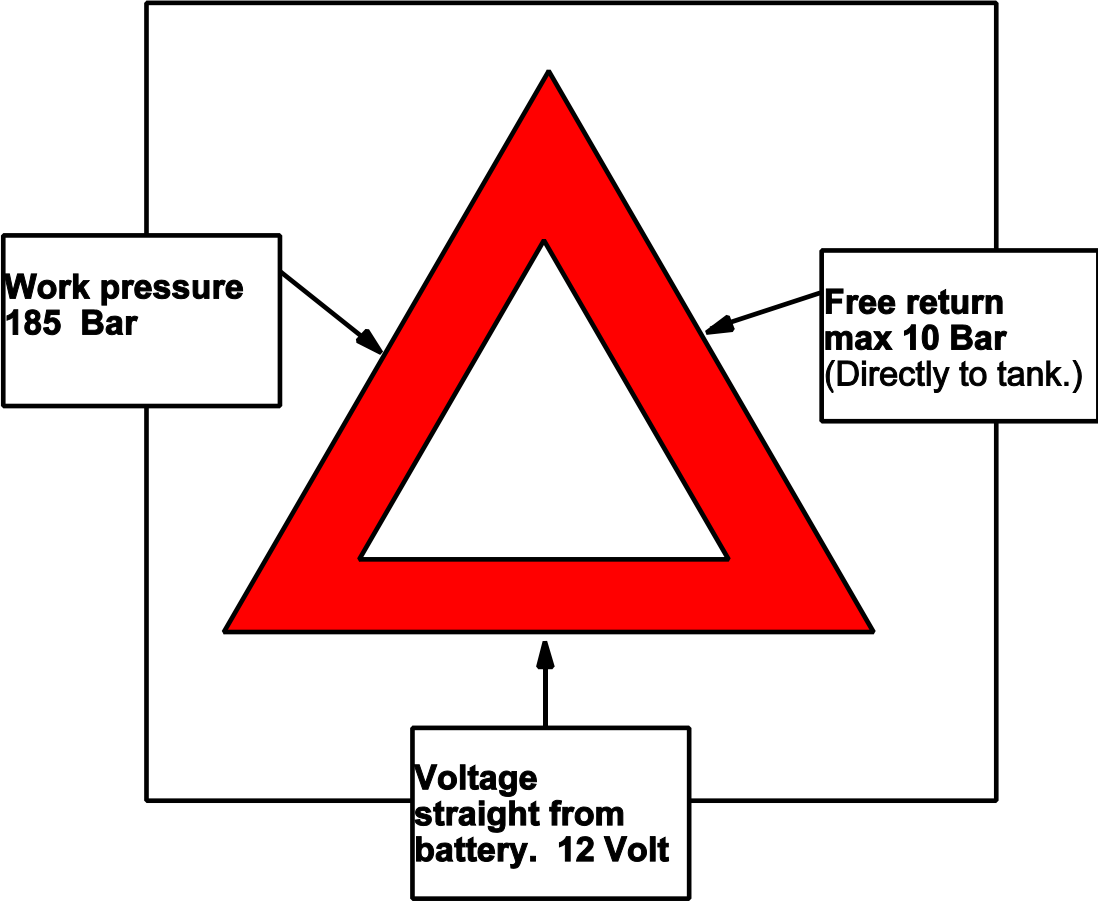
In addition to the fuse on the battery cable, there is a fuse inside the remote control. This is 10A, and secures the current to the magnet valves.

PLEASE CONTACT YOUR DEALER IF YOU ARE IN DOUBT OF ANYTHING.

(Remember always to give your dealer the serial number and production year of your machine when contacting dealer and when ordering spare parts).

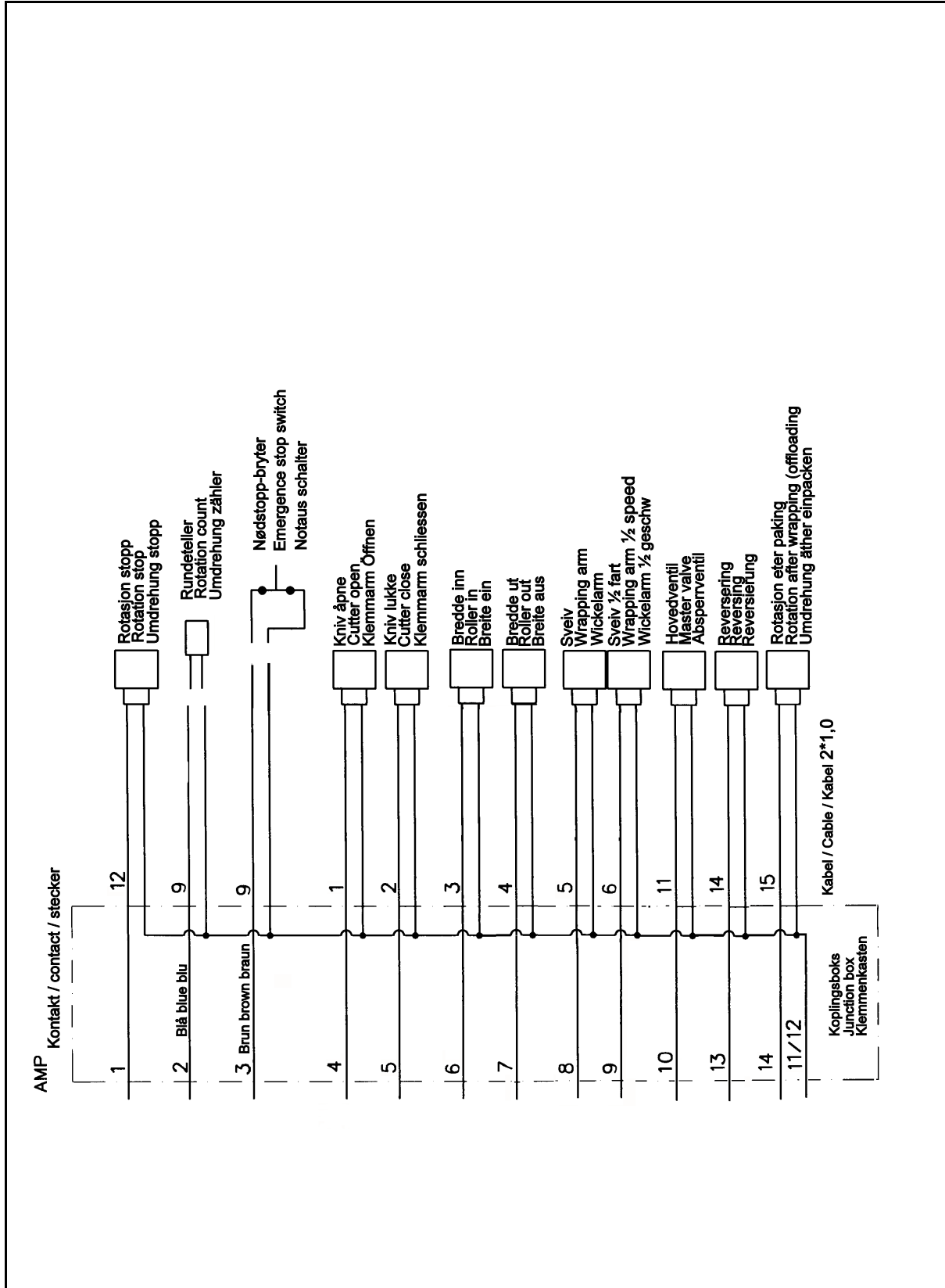
There are 3 basics which must **ALWAYS** be followed if the machine is to function correctly

NOTE !



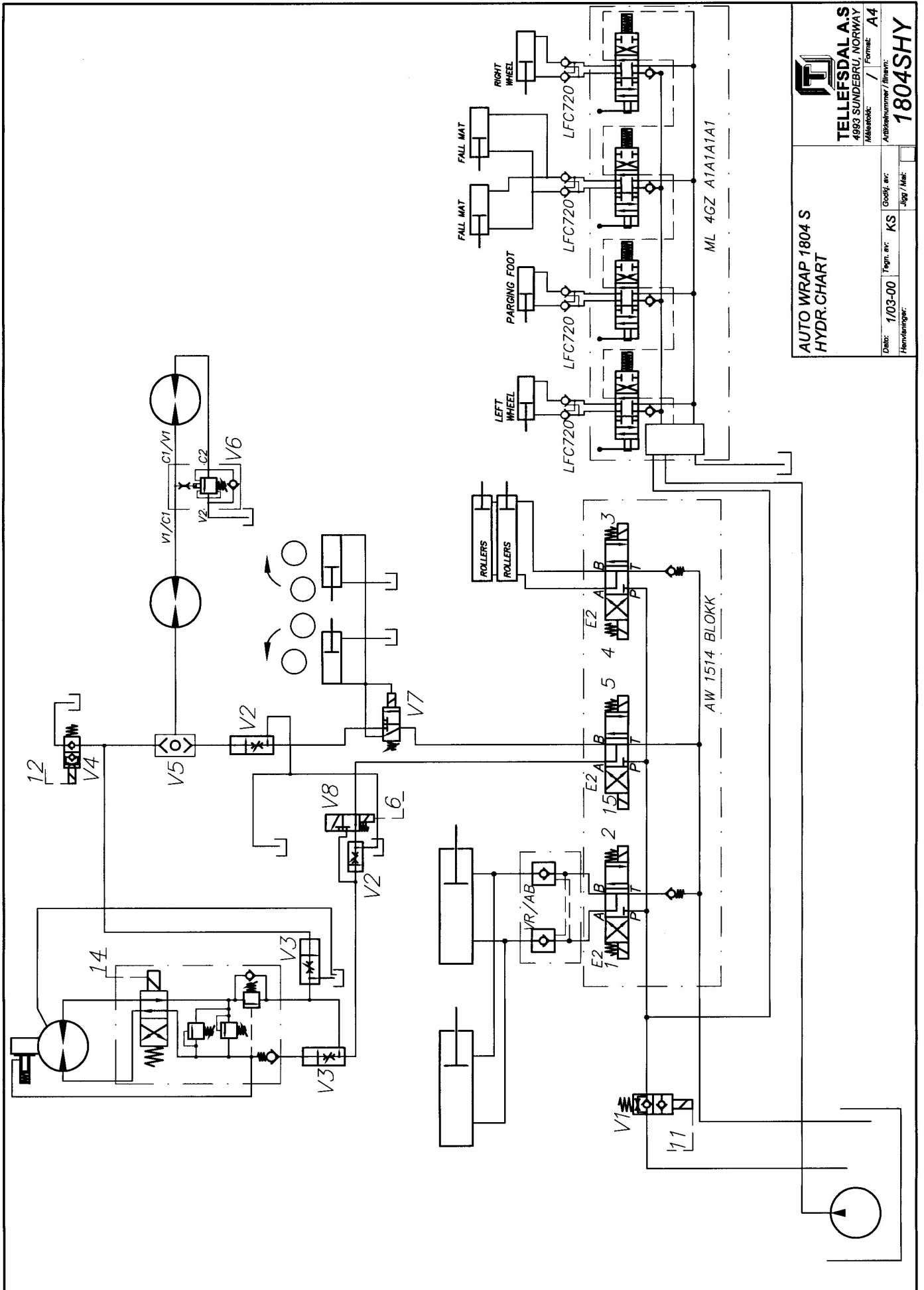
12.0 ELECTRIC, HYDRAULIC CIRCUIT DIAGRAM.

12.1 ELECTRIC CHART.



* Emergency stop: see chapter 2.1

12.2 HYDRAULIC CHART.



TELLEFSDAL A.S.
 4993 SUNDEBRU, NORWAY
 Målestokk: / Formål: A4
 Artikkelnr. / Rinnr.: 1804SHY

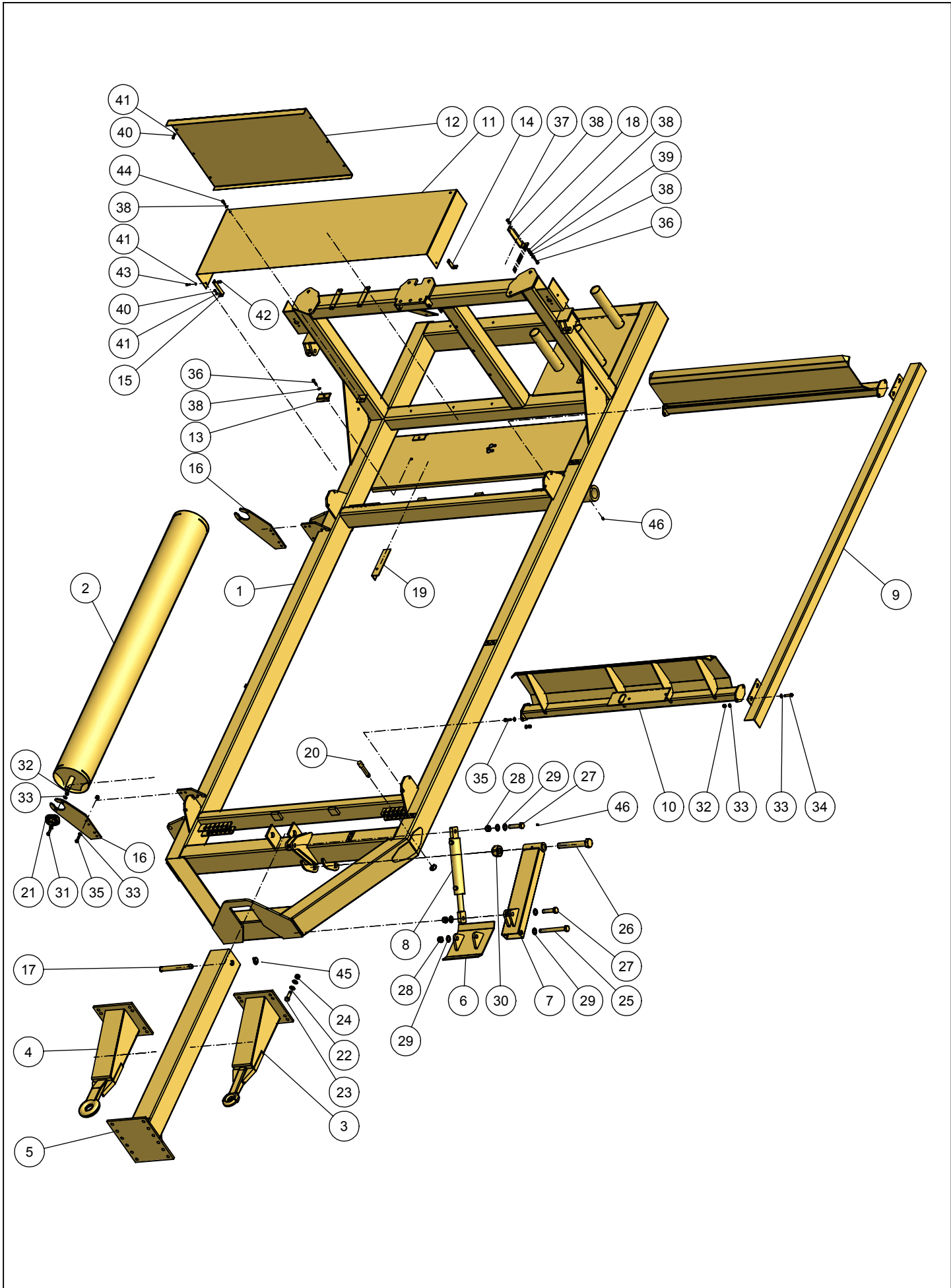
AUTO WRAP 1804 S
 HYDR. CHART

Dato: 1/03-00	Tegn. av: KS	Godt. av:
Henvisninger:	Jgg / Met:	

* Emergency stop: see chapter 2.1

AW 1804S 2001

AW 1804S FR



RESERVEDELSLISTE - SPARE PARTS LIST - ERSATZTEILLISTE

AW 1804S 2001

AW 1804S FR

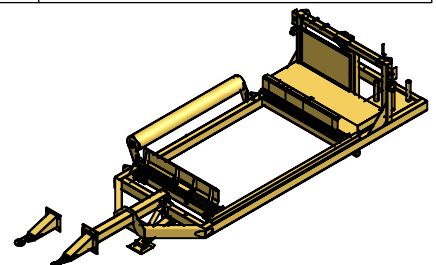
AW1804S fr.idw
07.06.01

HOVEDDRAMME (1/2)

MAIN FRAME (1/2)

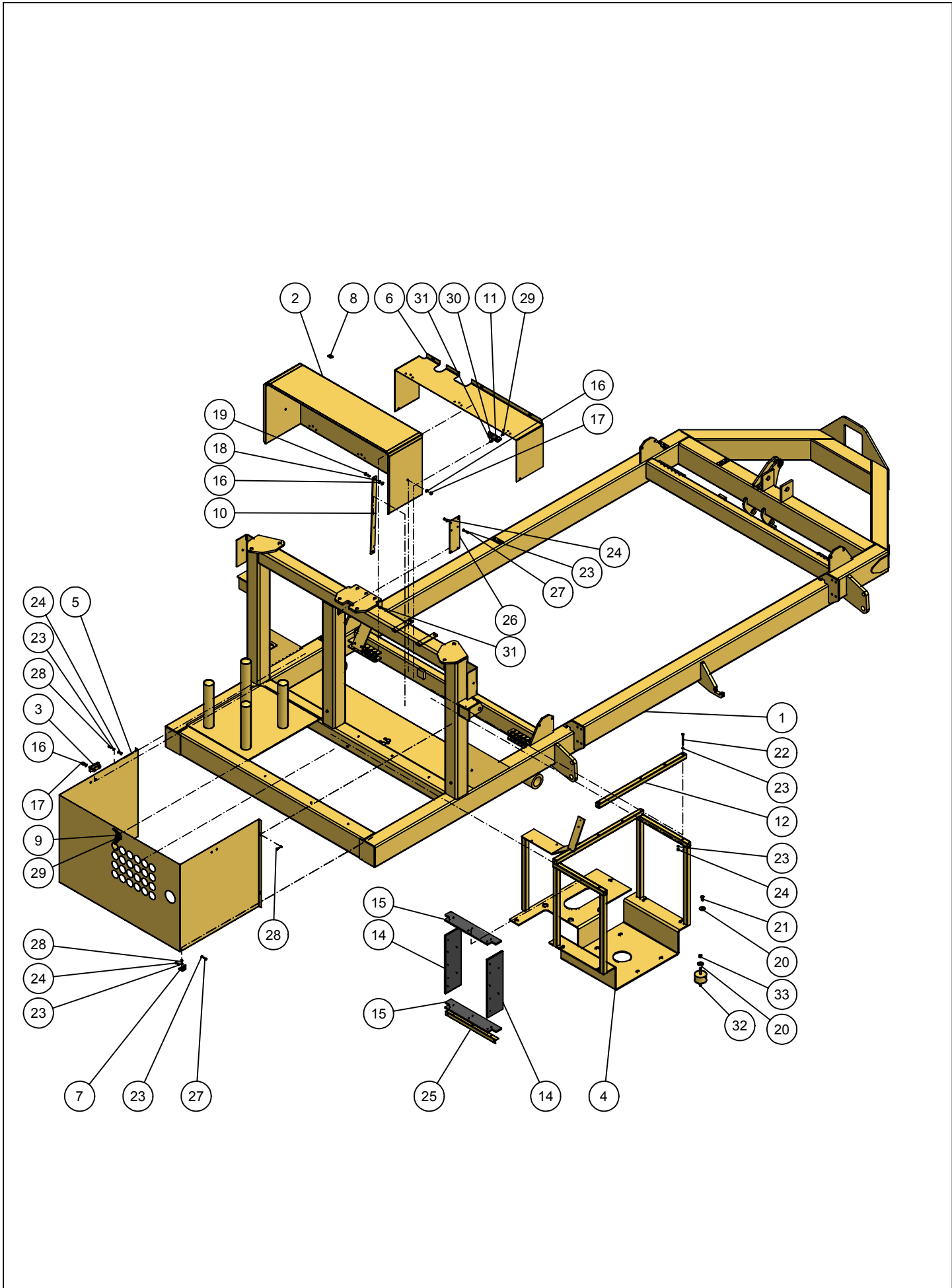
HAUPTTRAHMEN (1/2)

Item	Part number	Qty	Beskrivelse	Description	Bezeichnung
1	34240084	1	Ramme		
2	34240019	1	Tipprull		
3	34611490	1	Drag spesial		
4	34611489	1	Drag standard		
5	34240024	1	Drag		
6	34240023	1	Støttebein fot		
7	34240022	1	Støttebein		
8	34240046	1	Sylinder FA5030200H20H20		
9	34240058	1	Rørkappe		
10	34240017	2	Knivholder		
11	34240060	1	Deksel over ventiler		
12	34240057	1	Deksel bak motor		
13	34240056	2	Holder for batteri		
14	34240063	1	Holder kort		
15	34240064	1	Holder lang		
16	34240020	2	Feste for tipprull		
17	34101100	1	Bolt 25 x 195 (220)		
18	34240065	1	Holder for fjernkontroll		
19	34240069	1	Støtte for skjerm over ventil		
20	34240050	4	Bolt for anslagstopp		
21	34321519	2	Lager m/hus FYH SAPFL-206		
22	34302125	8	Skive 17 DIN 125 Ez	Washer 17 DIN 125 Ez	
23	34111500	4	Skr. 6k. DIN 933 M16 x 50-8.8 Ez		
24	34232100	4	Mutter lås DIN 985 M16-8 Ez	Nut lock DIN 985 M16-8 Ez	
25	34111992	1	Skr. 6k. DIN 931 M20 x 180-8.8 Ez		
26	34110070	1	Skr. 6k. DIN 931 M30 x 200-8.8 Ez		
27	34110062	2	Skr. 6k. DIN 931 M20 x 80-8.8 Ez		
28	34233000	3	Mutter lås DIN 985 M20-8 Ez		
29	34302126	6	Skive 21 DIN 125 Ez		
30	34234600	1	Mutter lås DIN 985 M30-8 Ez		
31	34110300	4	Skr. 6k. DIN 933 M10 x 30-8.8 Ez		
32	34230900	16	Mutter lås DIN 985 M10-8 Ez	Nut lock DIN 985 M10-8 Ez	
33	34302122	32	Skive 10,5 DIN 125 Ez		
34	34117245	4	Skr. 6k. DIN 933 M10 x 45-8.8 Ez		
35	34117200	8	Skr. 6k. DIN 933 M10 x 35-8.8 Ez		
36	34110001	3	Skr. 6k. DIN 933 M8 x 35-8.8 Ez		
37	34230500	5	Mutter lås DIN 985 M8-8 Ez	Nut lock DIN 985 M8-8 Ez	
38	34302121	12	Skive 8,4 DIN 125 Ez	Washer 8,4 DIN 125 Ez	
39	34230400	1	Mutter 6k. DIN 934 M8-8 Ez		
40	34117100	7	Skr. 6k. DIN 933 M6 x 16-8.8 Ez		
41	34302120	11	Skive 6,4 DIN 125 Ez		
42	34230300	2	Mutter lås DIN 985 M6-8 Ez		
43	34110083	2	Skr. 6k. DIN 931 M6 x 20-8.8 Ez		
44	34110000	2	Skr. 6k. DIN 933 M8 x 25-8.8 Ez		
45	34200100	5	Orpinne 8mm		
46	34060800	3	Smørenippel A M8 x 1 DIN 71412		



AW 1804S 2001

AW 1804S BA



RESERVEDELSLISTE - SPARE PARTS LIST - ERSATZTEILLISTE

AW 1804S 2001

AW 1804S BA

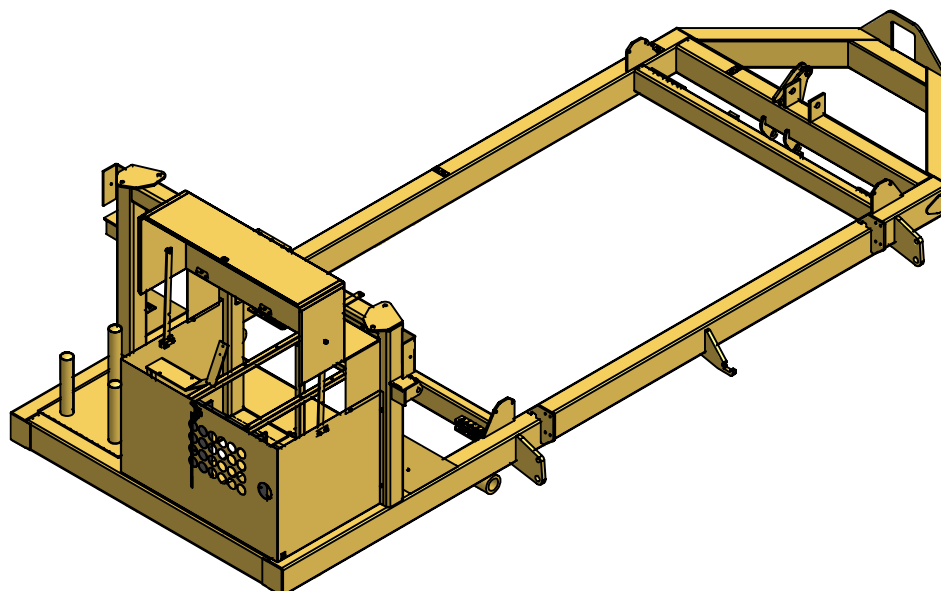
AW1804S BA.idw
30.08.01

HOVEDRAMME (2/2)

MAIN FRAME (2/2)

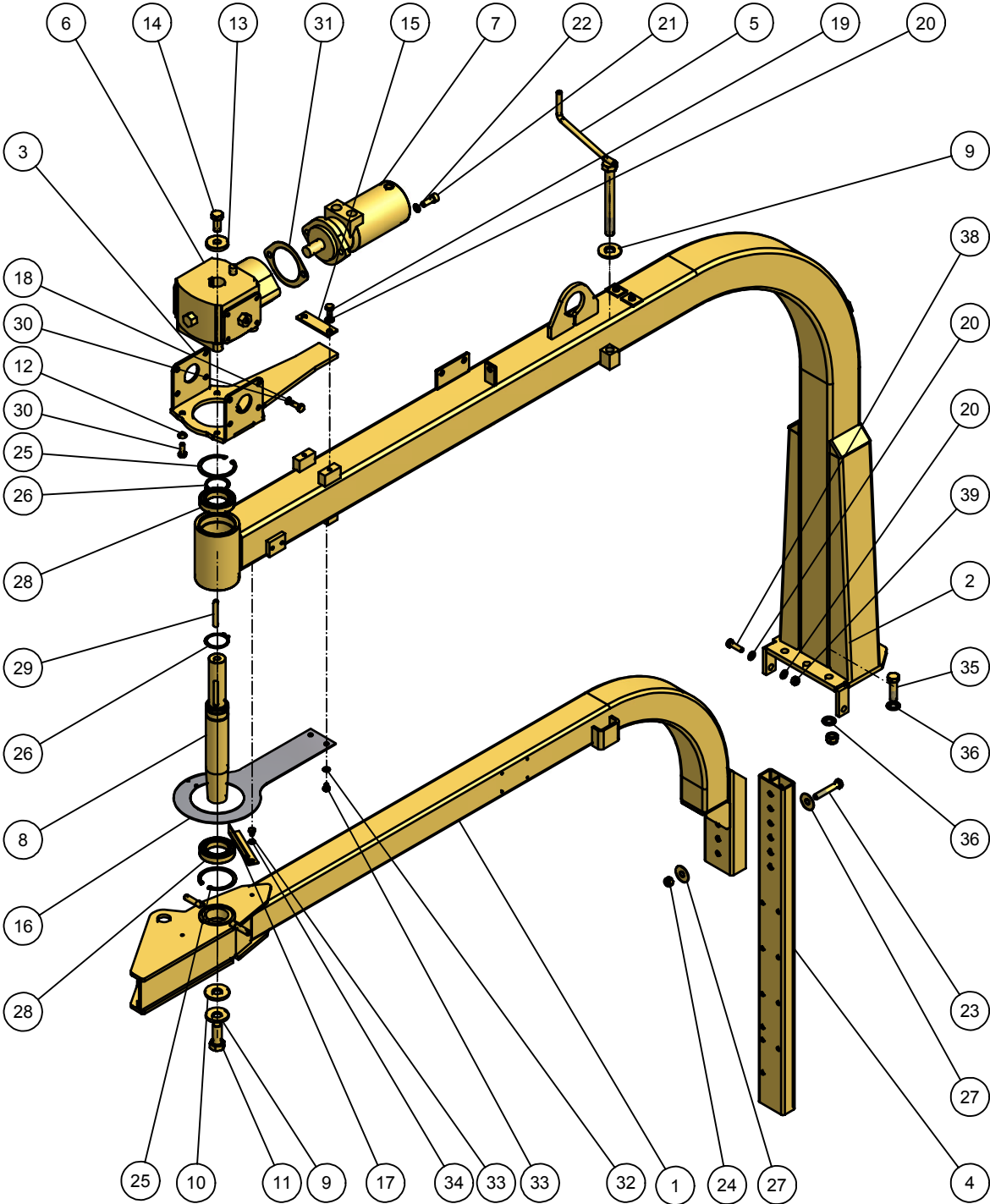
HAUPTTRAHMEN (2/2)

Item	Part number	Qty	Beskrivelse	Description	Bezeichnung
1	34240084	1	Ramme		
2	34240055	1	Toppdeksel		
3	34240066	2	Glidebeslag for skjermholder		
4	34240062	1	Motorramme for Kubota		
5	34240061	1	Deksel rundt motor		
6	34240054	1	Feste for toppdeksel		
7	34240068	2	Støtte for skjerm		
8	34240071	1	Hake eksenterstrammer galv. 31C		
9	34240070	1	Lås eksenterstrammer galv. 702LC		
10	34240067	2	Stag for deksel		
11	34240072	3	Hengsle KAR 2230770 37x37x75		
12	34240087	1	Overvange løs motor ramme		
13	34302126	1	Skive 21 DIN 125 Ez		
14	34240096	2	Radiator opheng		
15	34240097	2	Avskjerming over/under		
16	34302121	8	Skive 8,4 DIN 125 Ez	Washer 8,4 DIN 125 Ez	Scheibe 8,4 DIN 125 Ez
17	34230500	6	Mutter lås DIN 985 M8-8 Ez	Nut lock DIN 985 M8-8 Ez	
18	34230400	2	Mutter 6k. DIN 934 M8-8 Ez		
19	34112700	2	Skr. 6k. DIN 933 M8 x 30-8.8 Ez		
20	34302138	14	Skive 11/34 x 3 DIN 440		
21	34110014	6	Skr. 6k. DIN 933 M10 x 20-8.8 Ez		
22	34119207	2	Skr. 6k. DIN 933 M6 x 70-8.8 Ez		
23	34302120	25	Skive 6,4 DIN 125 Ez		
24	34230300	8	Mutter lås DIN 985 M6-8 Ez		
25	34240099	1	Holder for avskjerming		
26	34240093	1	Holder for koblingsboks		
27	34110083	4	Skr. 6k. DIN 931 M6 x 20-8.8 Ez		
28	34117100	11	Skr. 6k. DIN 933 M6 x 16-8.8 Ez		
29	34112600	23	Skrue M5 x 12 senkehode		
30	34302119	24	Skive 5,3 DIN 125 ElZn		
31	34230100	24	Mutter lås DIN 985 M5-8 Ez		
32	34420007	4	Vibr.demp. ø70x45 M10 20290 65Sh		
33	34230900	8	Mutter lås DIN 985 M10-8 Ez	Nut lock DIN 985 M10-8 Ez	



AW 1804S 2001

TÅRN 1804



RESERVEDELSLISTE - SPARE PARTS LIST - ERSATZTEILLISTE

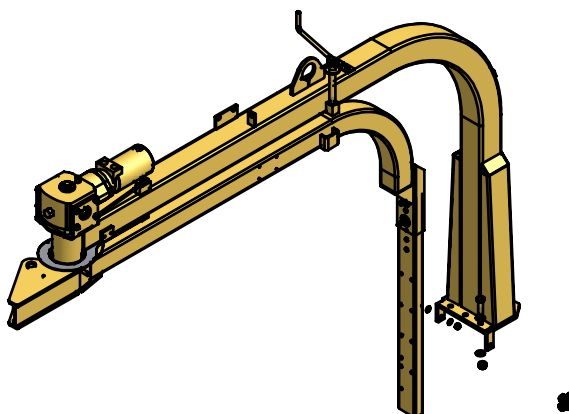
AW 1804S 2001

TÅRN 1804

TÅRN 1804.idw
16.05.01

TÅRN KOMPLETT TOWER COMPLETE TURM KOMPLETT

Item	Part number	Qty	Beskrivelse	Description	Bezeichnung
1	34240074	1	Sveiv	Wrapping arm	Wickelarm
2	34240075	1	Tårn	Tower	Turm
3	34670205	1	Gearholder		
4	34670167	1	Forstrekkerarm		
5	34251313	1	Sveivlås		
6	34090181	1	Gear vinkel RT90 - 3,1:1 ø35		
7	34090200	1	Hydraulikkmotor AR 200 NC25 FPDA		
8	34130261	1	Sveivaksel		
9	34312009	2	Spennbrikke DIN 6796 M20		
10	34302139	1	Skive sveivboss 22/55 x 6		
11	34111196	1	Skr. 6k. DIN 933 M20 x 50-8.8 Ez		
12	34302159	4	Skive sfærisk 10,5 DIN 74361		
13	34570009	1	Skive 17/50 x 8		
14	34115600	1	Skr. 6k. DIN 933 M16 x 35-8.8 Ez		
15	34670206	1	Lås for gearholder		
16	34380511	1	Glideplate for nødstop		
17	34611455	1	Giver for rundeteller (97-)		
18	34310500	8	Skive spreng DIN 7980 10 mm Ez		
19	34110014	2	Skr. 6k. DIN 933 M10 x 20-8.8 Ez		
20	34302122	6	Skive 10,5 DIN 125 Ez	Washer 10,5 DIN 125 Ez	Scheibe 10,5 DIN 125 Ez
21	34110029	2	Skr. syl. DIN 912 M12 x 30-12.9 S		
22	34310600	2	Skive spreng DIN 7980 12 mm Ez		
23	34117500	2	Skr. 6k. DIN 931 M12 x 70-8.8 Ez		
24	34231300	2	Mutter lås DIN 985 M12-8 Ez	Nut lock DIN 985 M12-8 Ez	Schließmutter DIN 985 M12-8 Ez
25	34240702	2	Låsering I-80		
26	34240703	2	Låsering A-50		
27	34302135	4	Skive 13/40 x 2		
28	34320503	2	Lager sporkule 6010 2RS		
29	34270000	1	Kile pass B10 x 8 x 70		
30	34110015	12	Skr. 6k. DIN 933 M10 x 25-8.8 Ez		
31	34047011	1	Pakning motor/vinkelgear		
32	34302121	2	Skive 8,4 DIN 125 Ez	Washer 8,4 DIN 125 Ez	Scheibe 8,4 DIN 125 Ez
33	34119012	3	Skr. 6k. DIN 933 M8 x 10-8.8 Ez		
34	34310400	1	Skive spreng DIN 7980 8 mm Ez		
35	34118400	5	Skr. 6k. DIN 931 M16 x 55-8.8 Ez		
36	34302125	10	Skive 17 DIN 125 Ez	Washer 17 DIN 125 Ez	Scheibe 17 DIN 125 Ez
38	34117200	2	Skr. 6k. DIN 933 M10 x 35-8.8 Ez		
39	34230900	2	Mutter lås DIN 985 M10-8 Ez	Nut lock DIN 985 M10-8 Ez	Schließmutter DIN 985 M10-8 Ez
40	34232100	5	Mutter lås DIN 985 M16-8 Ez	Nut lock DIN 985 M16-8 Ez	

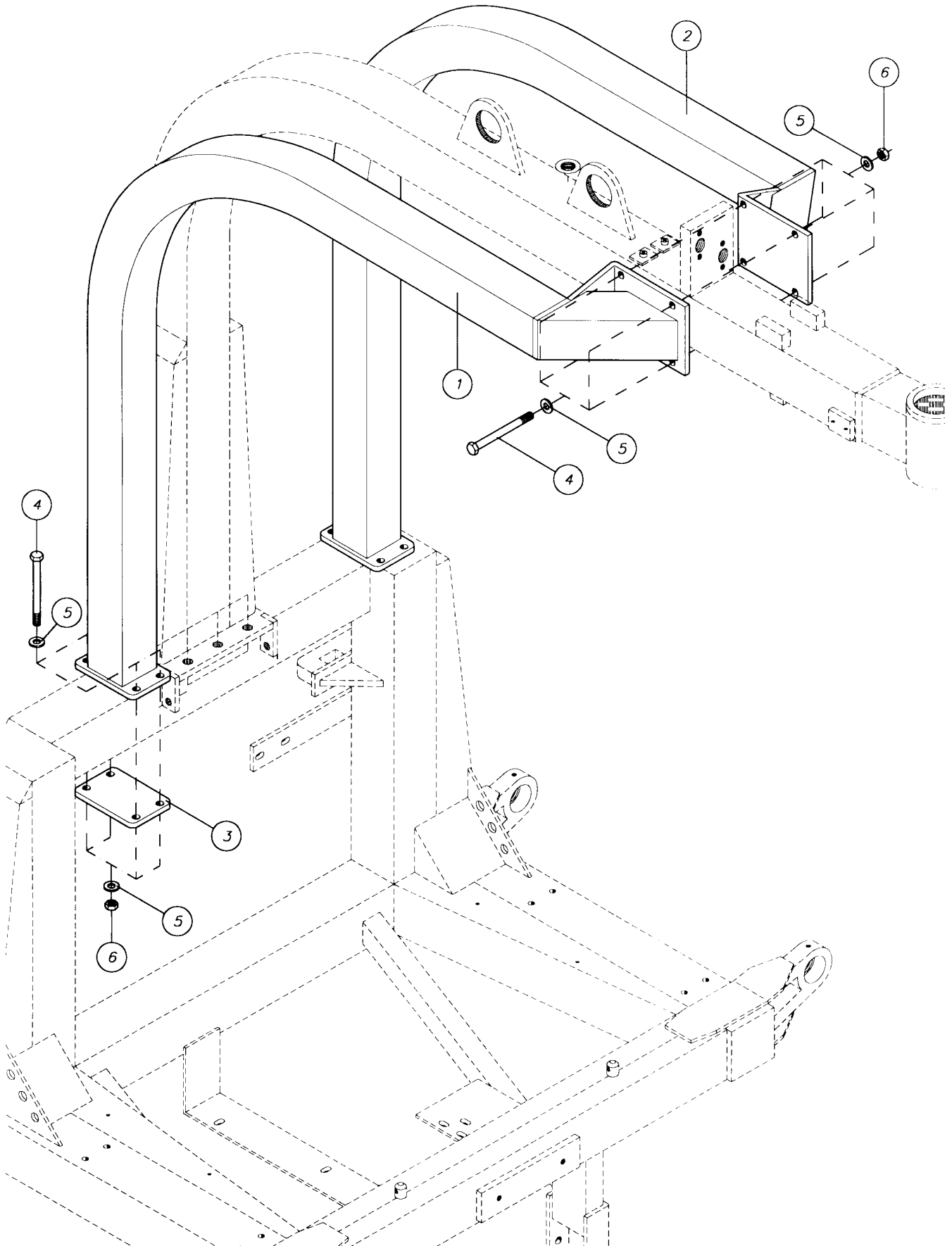


RESERVEDELSLISTE - SPARE PARTS LIST - ERSATZTEILLISTE

2-4

AUTO WRAP TWIN

15tw2-4.dwg



RESERVEDELSLISTE - SPARE PARTS LIST- ERSATZTEILLISTE

AUTO WRAP TWIN

2-4

1804-2-4.wpd
11. mars 2003

FORSTERKNINGER, TÅRN ENFORCEMENT, TOWER VERSTÄRKUNG, TURM

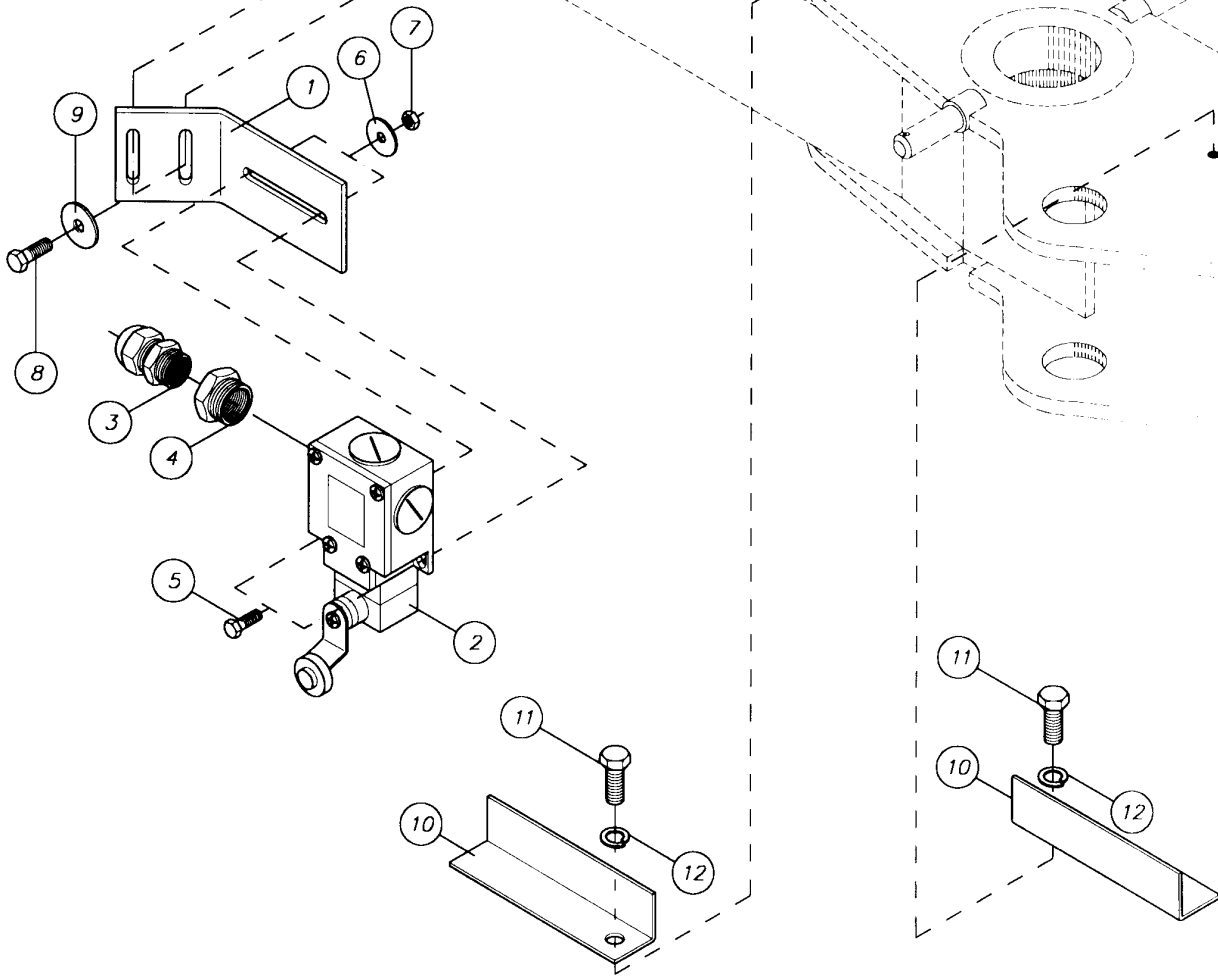
Pos	Art. Nr.	No	Beskrivelse	Description	Bezeichnung	Type - Dimension
1	34611427	1	Forsterkning, høyre	Enforcement, right	Verstärkung, Rechts	
2	34611428	1	Forsterkning, venstre	Enforcement, left	Verstärkung, Links	
3	34260125	2	Klemplate	Clamp plate	Klemmplatte	
4	34111300	12	Skruer	Bolt	Schraube	M12 x 140, DIN 931
5	34302123	24	Skive, underlag	Washer	Scheibe	12 mm
6	34231300	12	Mutter, lås	Nut, lock	Schließmutter	M12, DIN 985

RESERVEDELSLISTE - SPARE PARTS LIST - ERSATZTEILLISTE

7-2

AUTO WRAP 1804 S

15eh7-2.dwg



RESERVEDELSLISTE - SPARE PARTS LIST- ERSATZTEILLISTE

AUTO WRAP 1804 S

7-2

1804-7-2.wpd
11. mars 2003

OMDREININGSTELLER REVOLUTIONS COUNTER UMLAUFSZÄHLER

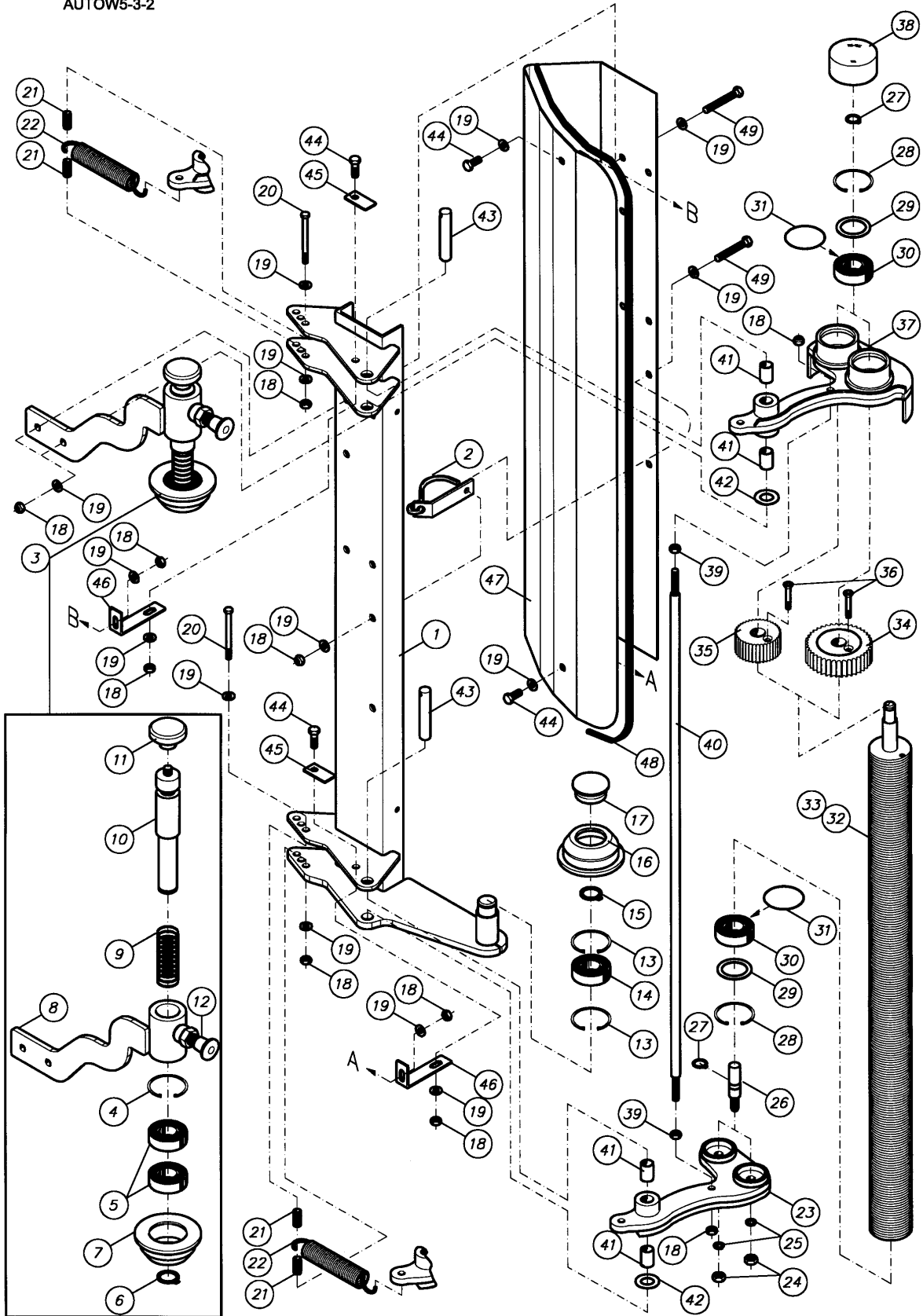
Pos	Art. Nr.	No	Beskrivelse	Description	Bezeichnung	Type - Dimension
1	34670133	1	Bryterbrakett	Switch bracket	Halter für Endschalter	Honeywell, GLEB01A5A Skintop st9 PG-9 Skindicht-kkk 15.5/9 M5 x 35, DIN 931
2	34950333	1	Endebryter	Limit switch	Endschalter	
3	34950418	1	Nippel	Nipple	Nippel	
4	34950419	1	PG-Reduc.	PG-Reduc.	Reduzierstück	
5	34119007	2	Skruer	Bolt	Schraube	
6	34302136	2	Skive	Washer	Scheibe	5,3/15 x 1,25 M5, DIN 985 M6 x 16, DIN 933 6,4 x 20 x 2
7	34230100	2	Mutter, lås	Nut, lock	Schließmutter	
8	34117100	2	Skruer	Bolt	Schraube	
9	34302134	2	Skive	Washer	Scheibe	
10	34611420	2	Giver	Giver	Geber	
11	34119012	2	Skruer	Bolt	Schraube	M8 x 10, DIN 933 8mm
12	34302145	2	Skive spreng	Spring washer	Sprengen scheibe	

RESERVEDELSLISTE - SPARE PARTS LIST - ERSATZTEILLISTE

3-2

AUTO WRAP

AUTOW5-3-2



RESERVEDELSLISTE - SPARE PARTS LIST - ERSATZTEILLISTE

AUTO WRAP

3-2

auto-3-2.wpd
11. mars 2003

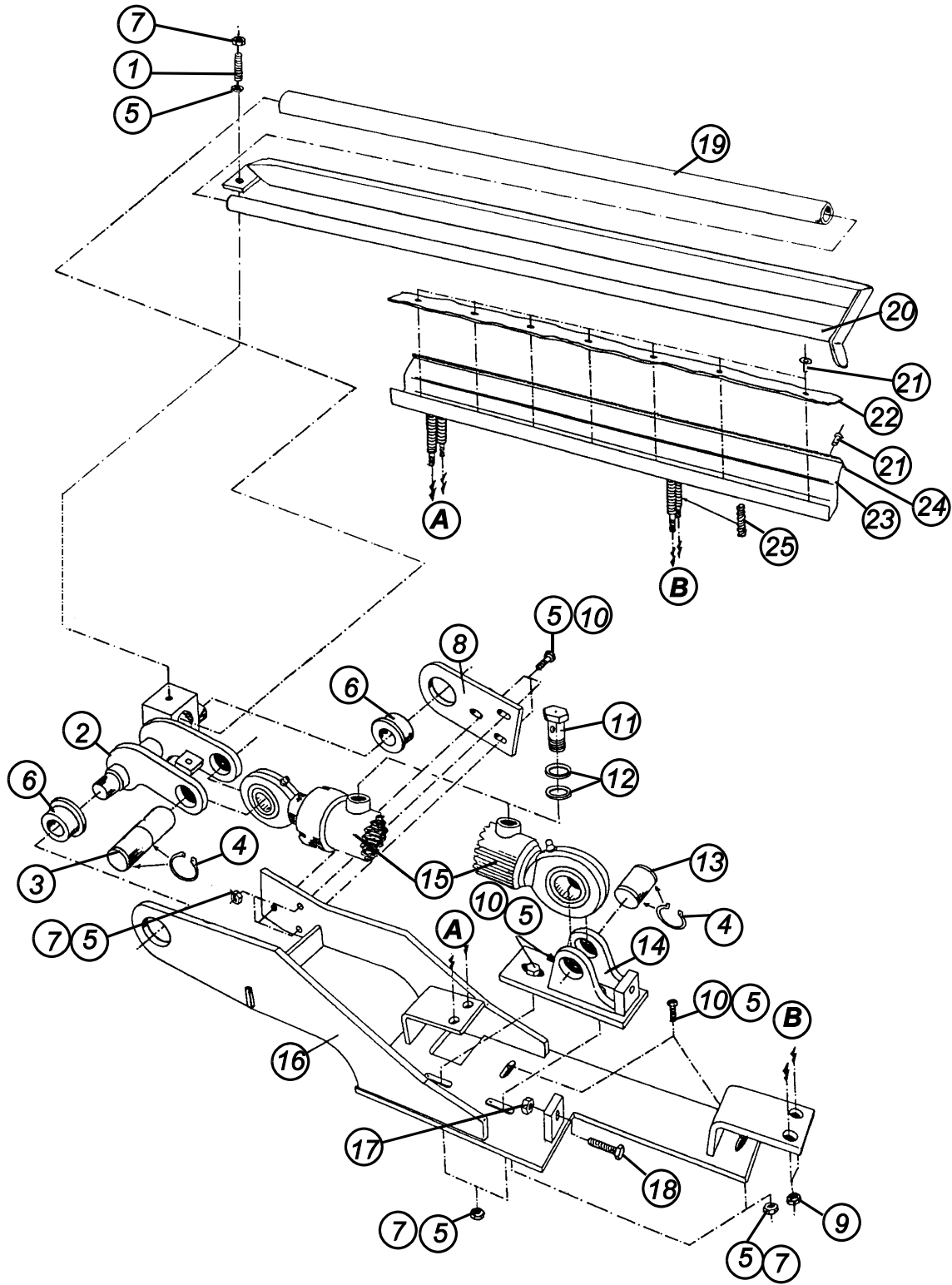
FORSTREKKER 750mm PRESTRETCHER 750mm VORSPANNER 750mm

Pos	Art. Nr.	No	Beskrivelse	Description	Bezeichnung	Type - Dimension
*	34920611	-	Forstrekker, komp. uten skjerm og krok.	Prestretcher, comp. with-out cover and hook.	Vorspanner, komplett ohne Deckel und Einhänghaken.	750 mm
*	34480028	-	Plastrull	Film roll	Folienrolle	750 mm
1	34670150	1	Åpen holder	Open holder	Halterung	750 mm
2	34660104	1	Holdekrok	Hook	Einhänghaken	
3	34920618	1	Låseholder, komplet	Lock container	Feststellvorrichtung	
4	34240728	1	Låsering	Locking ring	Sicherungsring	I-52
5	34320516	2	Lager, sporkule	Track ball bearing	Rillenkugellager	6205 2RS
6	34240704	1	Låsering	Locking ring	Sicherungsring	A-25
7	34480042	1	Styrehylse	Guiding sleeve	Steuerhülse	
8	34670151	1	Låse holder	Lock container	Schließhäuse	
9	34430339	1	Trykkfjær	Pressure spring	Druckfeder	ø2.5 x ø inv.25.5 x 80
10	34105707	1	Låse bolt	Locking bolt	Schließschraube	WN791 50-M10 Collett
11	34251456	1	Håndtak	Handle	Handgriff	
12	34251455	1	Låsetapp	Locking plunger	Sicherungsdippel	GN13 AK 8 Collett
13	34240728	2	Låsering	Locking ring	Sicherungsring	I-52
14	34320516	1	Lager, sporkule	Track ball bearing	Rillenkugellager	6205 2RS
15	34240704	1	Låsering	Locking ring	Sicherungsring	A-25
16	34480042	1	Styrehylse	Guiding sleeve	Steuerhülse	
17	34450443	1	Plasthette	Plastic cap	Haube	DBI DUT H27
18	34230500	11	Mutter, lås	Nut, lock	Schließmutter	D985 M8-8 EZ
19	34302121	15	Skive, underlag	Washer	Scheibe	M8 DIN 125 el zink
20	34110007	2	Skruer	Bolt	Schraube	SKR. 6K. D931 M8*80-8.8 EZ
21	34460102	4	Plasthylse	Plastic sleeve	Plastikhülse	ø8 / 10 x 24
22	34430300	2	Strekfjær	Spring	Zugfeder	ø26 x 3 x 120
23	34611321	1	Nedre hengslearm	Lower link arm	Untere Scharnierarm	
24	34230800	2	Mutter	Nut	Mutter	6K. D934 M10-8 EZ
25	34310500	2	Skive, spring	Washer	Scheibe	M10
26	34130230	2	Lagertapp	Bearing shaft	Wellenstümmel für Lager	
27	34240706	4	Låsering	Locking ring	Sicherungsring	A-15
28	34240400	4	Låsering	Locking ring	Sicherungsring	I-47
29	34920512	4	Holdeskrive	Supporting ring	Halterscheibe	35/46 x 2
30	34320507	4	Lager	Bearing	Lager	INA RABR - B 15/47
31	34321506	4	Gummiring til lager	Rubber-ring for bearing	Gummiring für Lager	
32	34340125	2	Strammerull	Stretchroller	Vorspannrolle	750 mm (94-)
33	34340127	1	Strammerull, konisk	Stretchroller, conical	Vorspannrolle, konisch	750 mm
34a	34090105	1	Tannhjul	Sprocket	Zahnrad	18 (-92), (97-)
34b	34090125	1	Tannhjul	Sprocket	Zahnrad	29 - 3 (92)
35a	34090104	1	Tannhjul	Sprocket	Zahnrad	30 (-92), (97)
35b	34090126	1	Tannhjul	Sprocket	Zahnrad	19 - 3 (92)
36	34119013	2	Skruer, unb. senkeh.	Bolt, socket h. c. sunk	Senkschraube, Inn.sechsk.	M6 x 40, DIN 7991
37	34611320	1	Øvre hengslearm	Upper link arm	Obere Scharnierarm	
38	34450411	2	Plasthette	Plastic cap	Haube	DBI - DUT 57 - M
39	34230400	2	Mutter	Nut	Mutter	6K. D934 M8-8 EZ
40	34920592	1	Stag	Bar	Gestänge	8 x 885
41	34320505	4	Lagerhylse	Bearing sleeve	Lagerbuchse	15/17x25 PAP1525P10
42	34320506	2	Lagerskrive	Distance ring	Lagerscheibe	32/18x1,5 PAW18 P10
43	34105627	2	Hengslebolt	Jointing bolt	Scharnierbolzen	
44	34110000	4	Skruer	Bolt	Schraube	SKR. 6K. D933 M8*25-8.8 EZ
45	34680010	2	Låsebrikke	Locing piece	Sicherungsblech	
46	34920517	2	Støttejern	Supporting bracket	Abstützeisen	
47	34851229	1	Skjerm	Cover	Schutzdeckel	750 mm
48	34470005	1	Karosserilist	List for cover	Schutzleisten	750 mm
49	34110005	1	Skruer	Bolt	Schraube	SKR. 6K. D931 M8*65.8.8 EZ

RESERVEDELSLISTE - SPARE PARTS LIST - ERSATZTEILLISTE

5-1

AUTO WRAP



RESERVEDELSLISTE - SPARE PARTS LIST - ERSATZTEILLISTE

AUTO WRAP

5-1

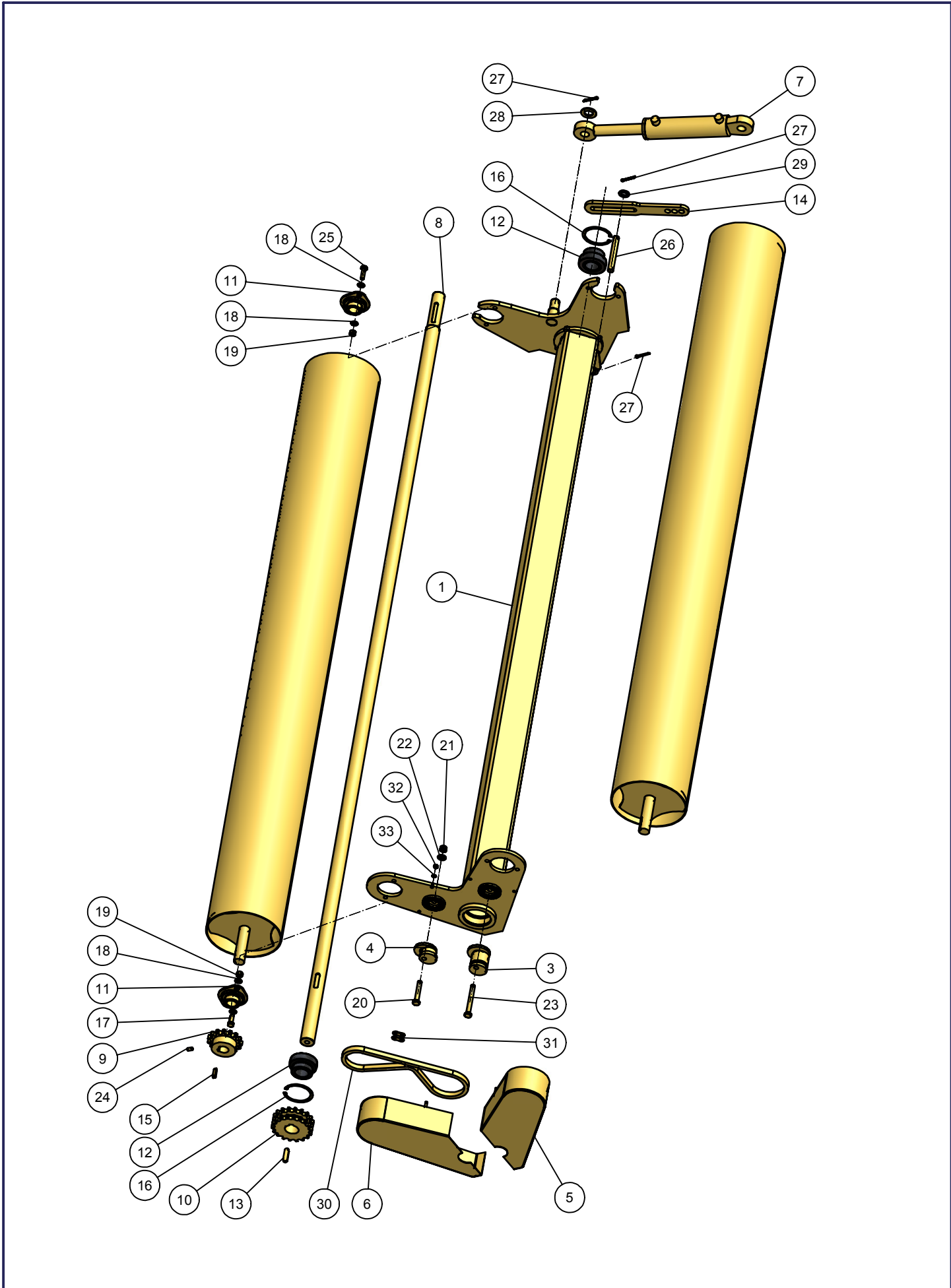
AUTOW5-1.WPD
11. mars 2003

KNIV CUTTER MESSER

Pos	Art. Nr.	No	Beskrivelse	Description	Bezeichnung	Type - Dimension
	34920607		Kniv komplett (1996)	Cutter complete (1996)	Messer komplett (1996)	
1	34119142	1	Pinneskrue, rustfri	Screw stud, stainless	Schraubendübel, rostfrei	M8 x 35
2	34920524	1	Knivaksel	Knife shaft	Schwenkteil	
3	34105632	1	Sylinderbolt	Bolt for cylinder	Zylinderbolzen	25 x 69
4	34240704	4	Låsering	Locking ring	Sicherungsring	A 25
5	34302121	15	Skive, underlag	Washer	Scheibe	8 mm
6	34321518	2	Flenslager, 2992	Bearing, 2992	Flanschlager, 2992	20/28 x 16 - 35 x 4
7	34230500	8	Mutter, lås	Nut, lock	Schließmutter	M8, DIN 985
8	34920597	1	Knivøre (94-)	Fastening ear (94-)	Lagerhalter (94-)	
9	34230900	4	Mutter, lås	Nut, lock	Schließmutter	M10, DIN 985
10	34112700	7	Skruer	Bolt	Schraube	M8 x 30, DIN 933
11	34061935	2	Banjoskrue, slangekobling	Bolt for hose coupling	Banjoskrue	M16 x 1,5
12	34043500	4	Stålpakning	Tightening ring	Dichtungsring	DKAZ, 16 mm
13	34105631	1	Sylinderbolt	Bolt for cylinder	Zylinderbolzen	25 x 52
14	34920525	1	Sylinderfeste	Fastening bracket, cylinder	Zylinderbefestigung	
15a	34001102	1	Knivsylder (-93 og 95-)	Cutter cylinder (-93 and 95-)	Hydr. Zylinder (-93 und 95-)	40/20 x 125 UNI
15b	34001111	1	Knivsylder (93-95)	Cutter cylinder (93-95)	Hydraulik Zylinder (93-95)	40/20 x 125 ØYA
15c	34043800	-	Pakn.sett, knivsyl. (-93, 95-)	Seal set, cylinder (-93, 95-)	Dicht.satz, Zylinder(-93, 95-)	BU/B2 40/20 UNI
16	34920596	1	Monteringsplate (94-)	Mounting bracket (94-)	Anbauplatte (94-)	
17	34230400	1	Mutter	Nut	Mutter	M8, DIN 934
18	34110003	1	Skruer	Bolt	Schraube	M8 x 45, DIN 933
19	34480009	1	Plasthylse	Plastic sleeve	Kunststoffbuchse	
20	34611422	1	Knivarm, (96-)	Cutter arm, (96-)	Messerarm, (96-)	
21	34150007	15	Popnagle	Pop-rivet	Popnagel	5 x 12/14
22	34450428	1	Gummiplate	Rubber strip	Gummiplatte	
23	34920585	1	Kniv underdel (93-)	Cutter, lower part (93-)	Messer, Unterteil (93-)	
24	34911039	1	Knivblad	Cutter blade	Messer Klinge	
25	34430301	4	Fjær	Spring	Feder	Danly

AW 1804S 2001

VALSER-R



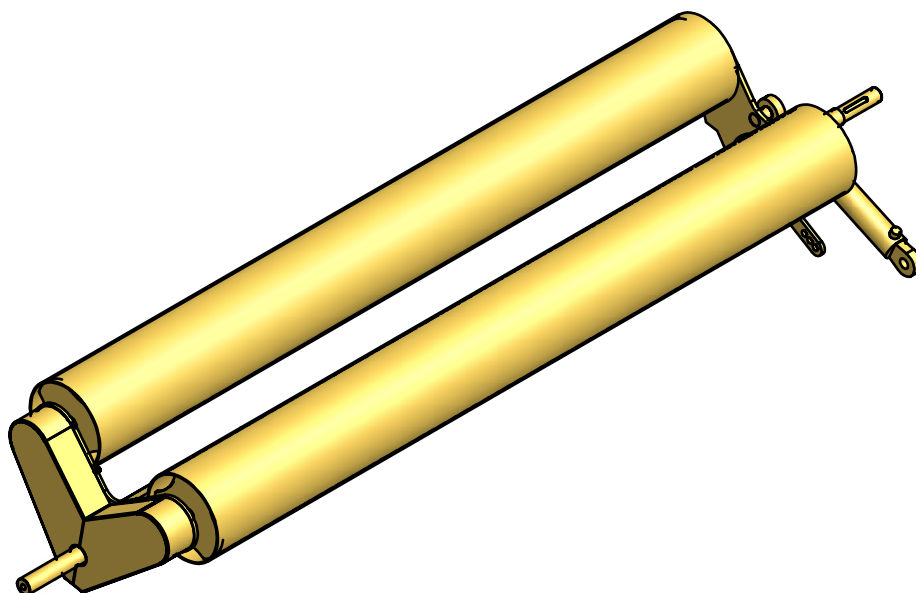
RESERVEDELSLISTE - SPARE PARTS LIST - ERSATZTEILLISTE

AW 1804S 2001

VALSER-R VALSER HØYRE ROLLERS RIGHT WALZEN RECHTS

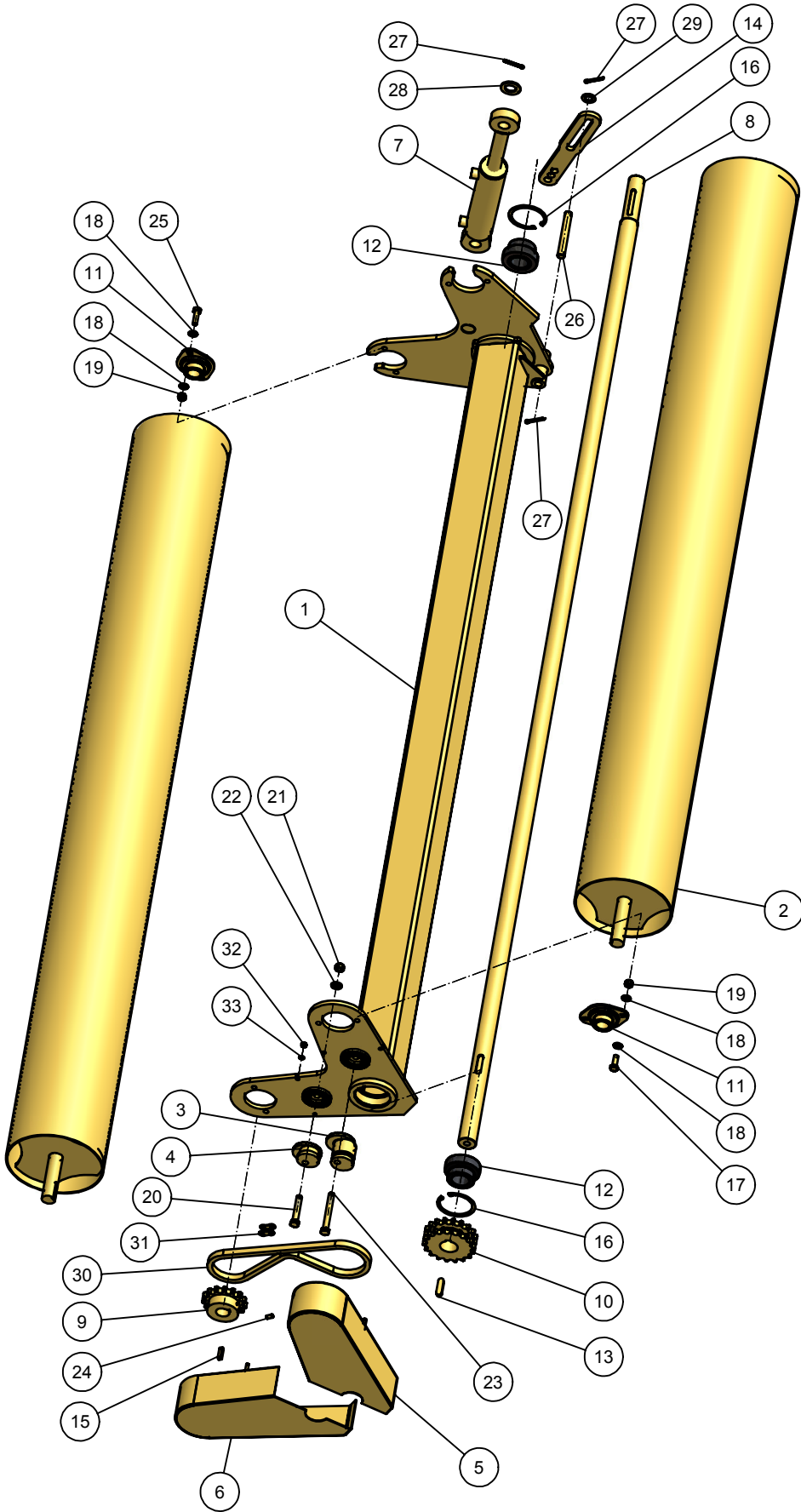
VALSER-R.idw
21.05.01

Item	Part number	Qty	Beskrivelse	Description	Bezeichnung
1	34240009	1	Valse ramme høyre		
2	34240021	2	Bærerull		
3	34810830	1	Kjedestrammer lang		
4	34810831	1	Kjedestrammer kort		
5	34240038	1	Deksel høyre		
6	34240039	1	Deksel venstre		
7	34240030	1	Sylinder FA 50 30 150 I25 I25		
8	34240027	1	Senteraksel		
9	34810833	2	Kjedehjul 3/4" 15t		
10	34240036	1	Kjedehjul Duplex 3/4" 18t ø40		
11	34321519	4	Lager med hus FYH SAPFL-206		
12	34240037	2	Lager uten hus YET 208 (SKF)		
13	34270101	1	Kile pass A12 x 8 x 45		
14	34240032	1	Pendlestop		
15	34270105	2	Kile pass A8 x 7 x 32		
16	34240702	2	Låserring I80		
17	34110300	4	Skr. 6k. DIN 933 M10 x 30-8.8 Ez		
18	34302122	16	Skive 10,5 DIN 125 Ez	Washer 10,5 DIN 125 Ez	Scheibe 10,5 DIN 125 Ez
19	34230900	8	Mutter lås DIN 985 M10-8 Ez	Nut lock DIN 985 M10-8 Ez	Schließmutter DIN 985 M10-8 Ez
20	34117500	1	Skr. 6k. DIN 931 M12 x 70-8.8 Ez		
21	34231300	2	Mutter lås DIN 985 M12-8 Ez	Nut lock DIN 985 M12-8 Ez	Schließmutter DIN 985 M12-8 Ez
22	34302123	2	Skive 13 DIN 125 Ez	Washer 13 DIN 125 Ez	Scheibe 13 DIN 125 Ez
23	34110900	1	Skr. 6k. DIN 931 M12 x 100-8.8 Ez		
24	34119010	3	Gjengestift M8 x 16 DIN 916		
25	34117200	4	Skr. 6k. DIN 933 M10 x 35-8.8 Ez		
26	34240073	1	Bolt for valsestop		
27	34210100	3	Splint hårnål 5 mm		
28	34302127	1	Skive 25 DIN 125 Ez	Washer 25 DIN 125 Ez	Scheibe 25 DIN 125 Ez
29	34302125	1	Skive 17 DIN 125 Ez	Washer 17 DIN 125 Ez	Scheibe 17 DIN 125 Ez
30	34910851	2	Kjede forsterket 3/4" 45 ledd		
31	34818005	2	Kjedelås forsterket 3/4" enkel		
32	34230300	4	Mutter lås DIN 985 M6-8 Ez	Nut lock DIN 985 M6-8 Ez	Schließmutter DIN 985 M6-8 Ez
33	34302120	4	Skive 6,4 DIN 125 Ez	Washer 6,4 DIN 125 Ez	Scheibe 6,4 DIN 125 Ez



AW 1804S 2001

VALSER-L



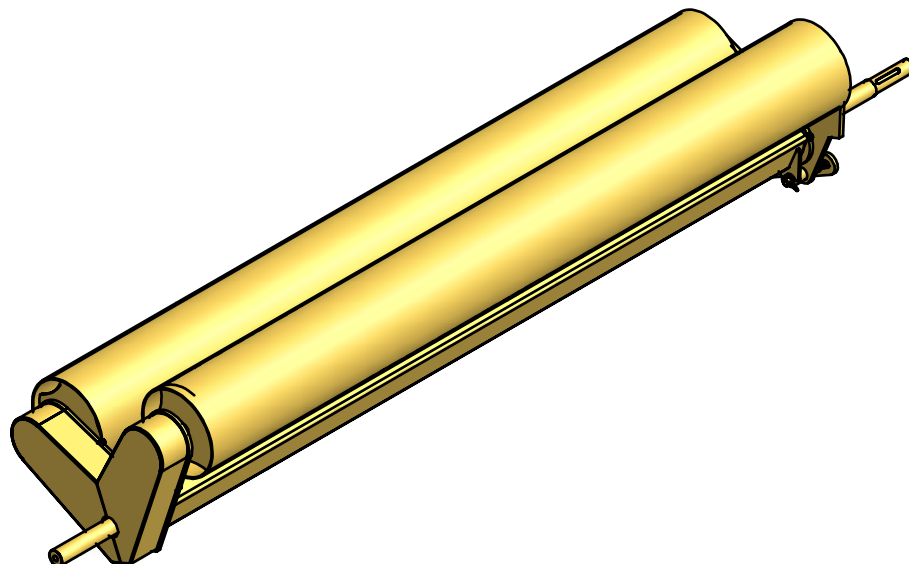
RESERVEDELSLISTE - SPARE PARTS LIST - ERSATZTEILLISTE

AW 1804S 2001

VALSER-L VALSER VENSTRE ROLLERS LEFT WALZEN LINKS

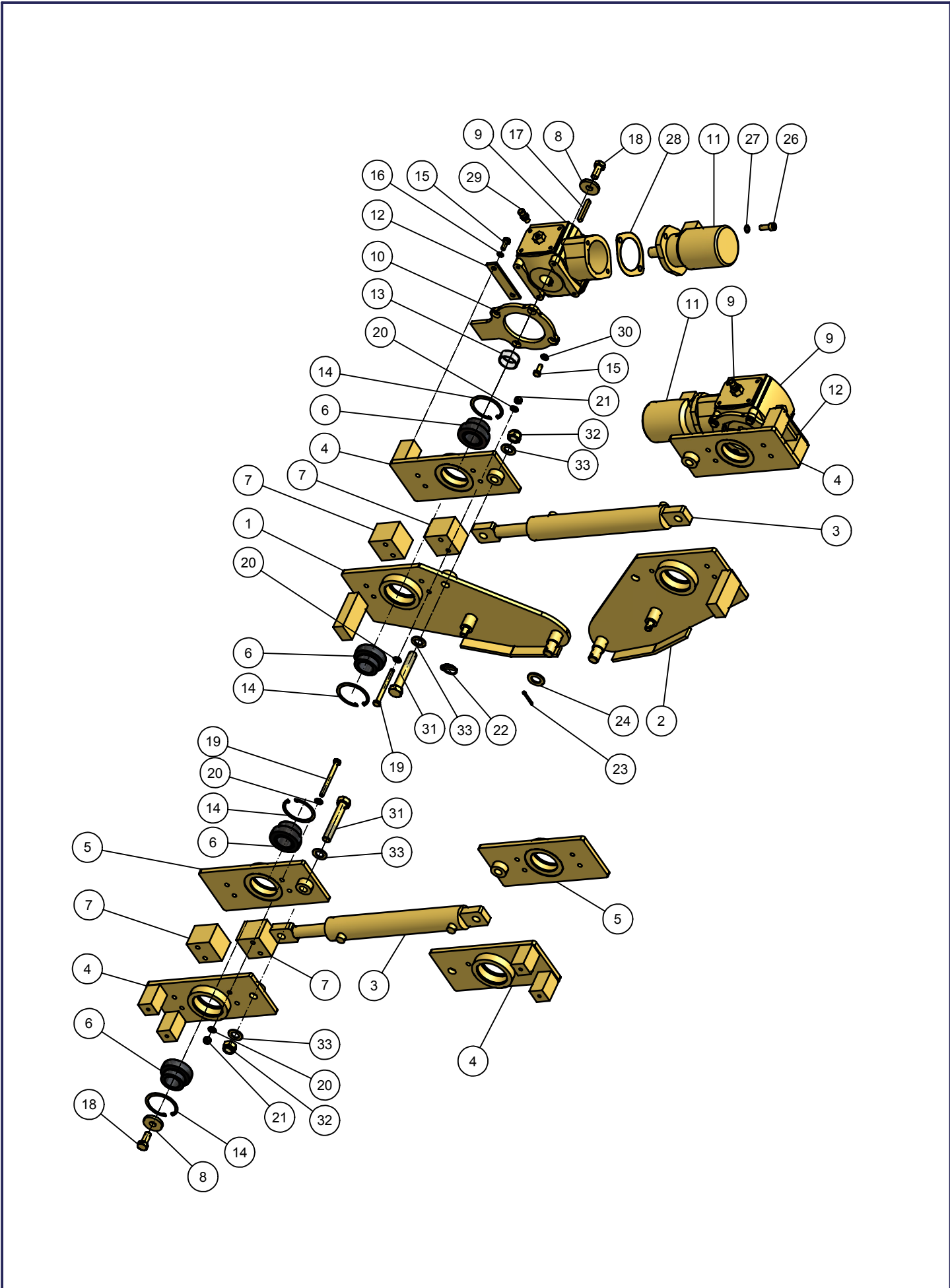
VALSER-L.idw
21.05.01

Item	Part number	Qty	Beskrivelse	Description	Bezeichnung
1	34240011	1	Valseramme venstre		
2	34240021	2	Bærerull		
3	34810830	1	Kjedestrammer lang		
4	34810831	1	Kjedestrammer kort		
5	34240038	1	Deksel høyre		
6	34240039	1	Deksel venstre		
7	34240030	1	Sylinder FA 50 30 150 I25 I25		
8	34240027	1	Senteraksel		
9	34810833	2	Kjedehjul 3/4" 15t		
10	34240036	1	Kjedehjul Duplex 3/4" 18t ø40		
11	34321519	4	Lager med hus FYH SAPFL-206		
12	34240037	2	Lager uten hus YET 208 (SKF)		
13	34270101	1	Kile pass A12 x 8 x 45		
14	34240032	1	Pendlestopp		
15	34270105	2	Kile pass A8 x 7 x 32		
16	34240702	2	Låsering I80		
17	34110300	4	Skr. 6k. DIN 933 M10 x 30-8.8 Ez		
18	34302122	16	Skive 10,5 DIN 125 Ez	Washer 10,5 DIN 125 Ez	Scheibe 10,5 DIN 125 Ez
19	34230900	8	Mutter lås DIN 985 M10-8 Ez	Nut lock DIN 985 M10-8 Ez	Schließmutter DIN 985 M10-8 Ez
20	34117500	1	Skr. 6k. DIN 931 M12 x 70-8.8 Ez		
21	34231300	2	Mutter lås DIN 985 M12-8 Ez	Nut lock DIN 985 M12-8 Ez	Schließmutter DIN 985 M12-8 Ez
22	34302123	2	Skive 13 DIN 125 Ez	Washer 13 DIN 125 Ez	Scheibe 13 DIN 125 Ez
23	34110900	1	Skr. 6k. DIN 931 M12 x 100-8.8 Ez		
24	34119010	3	Gjengestift M8 x 16 DIN 916		
25	34117200	4	Skr. 6k. DIN 933 M10 x 35-8.8 Ez		
26	34240073	1	Bolt for valsestopp		
27	34210100	3	Splint hårmål 5 mm		
28	34302127	1	Skive 25 DIN 125 Ez	Washer 25 DIN 125 Ez	Scheibe 25 DIN 125 Ez
29	34302125	1	Skive 17 DIN 125 Ez	Washer 17 DIN 125 Ez	Scheibe 17 DIN 125 Ez
30	34910851	2	Kjede forsterket 3/4" 45 ledd		
31	34818005	2	Kjedelås forsterket 3/4" enkel		
32	34230300	4	Mutter lås DIN 985 M6-8 Ez	Nut lock DIN 985 M6-8 Ez	Schließmutter DIN 985 M6-8 Ez
33	34302120	4	Skive 6,4 DIN 125 Ez	Washer 6,4 DIN 125 Ez	Scheibe 6,4 DIN 125 Ez



AW 1804S 2001

VALSE FESTE



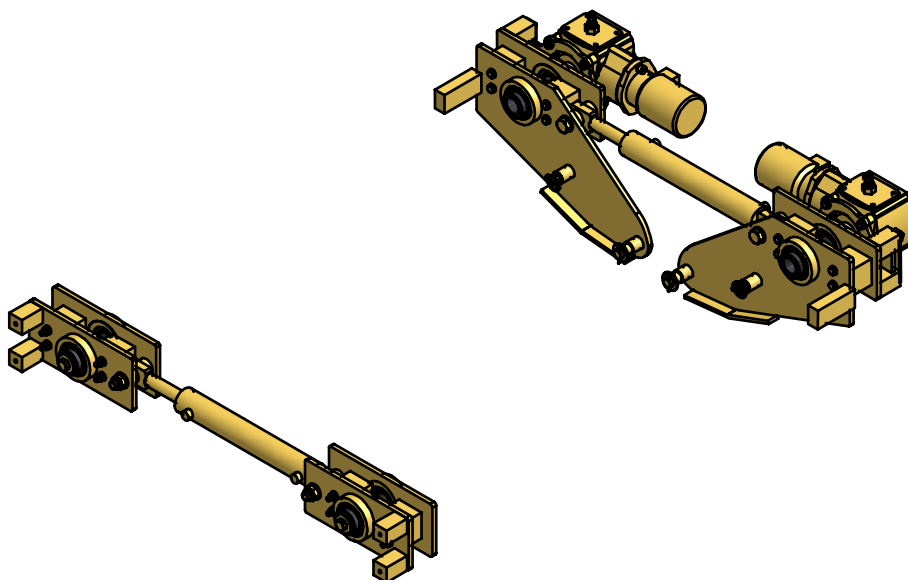
RESERVEDELSLISTE - SPARE PARTS LIST - ERSATZTEILLISTE

AW 1804S 2001

VALSE FESTE VALSEFESTER ROLLER BRACKETS WALZEN BEFESTIGUNG

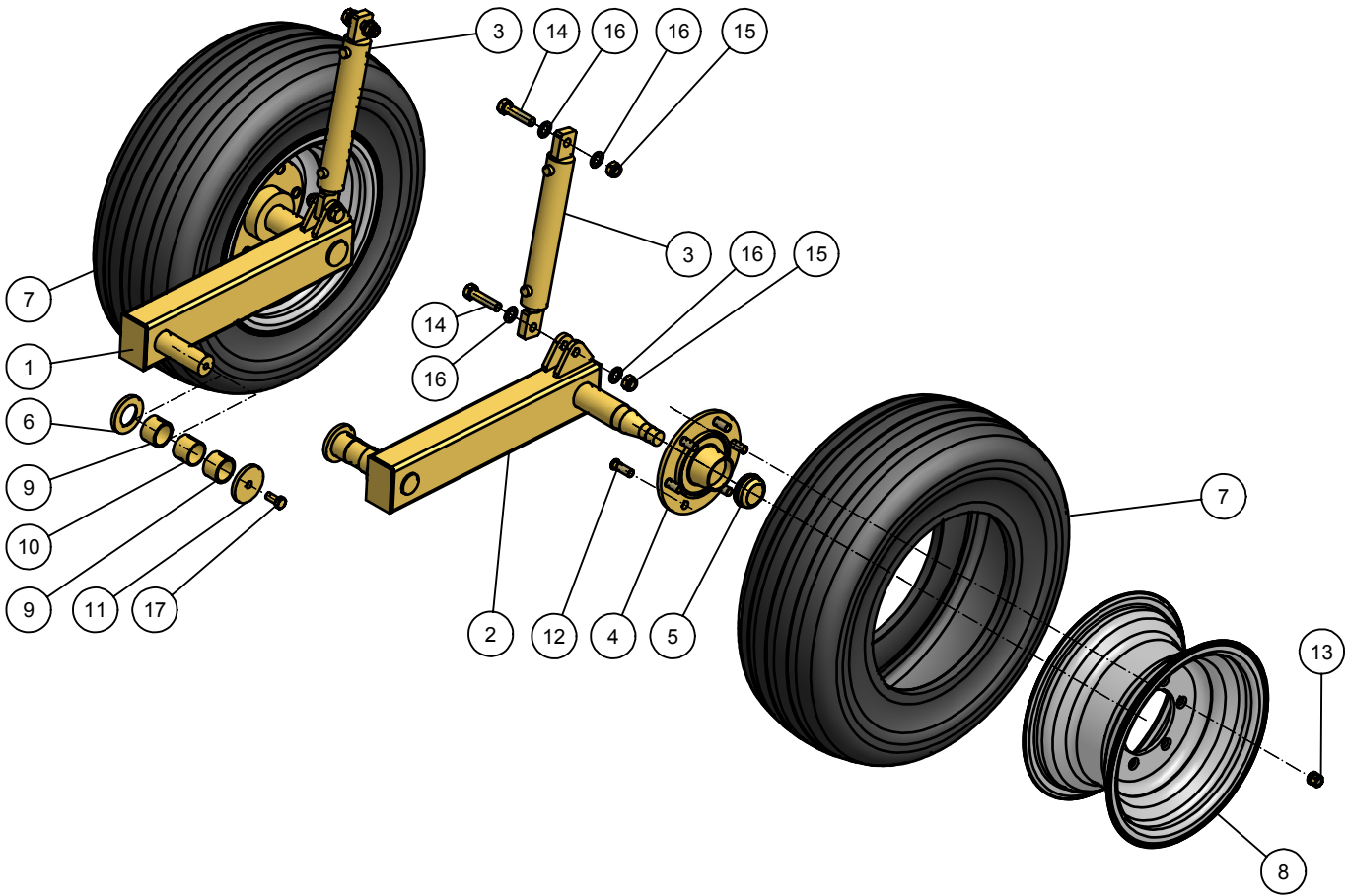
VALSE-FESTE.idw
29.05.01

Item	Part number	Qty	Beskrivelse	Description	Bezeichnung
1	34240012	1	Anslagsfeste høyre		
2	34240013	1	Anslagsfeste venstre		
3	34240031	2	Sylinder FA 50 30 300 H20 H20		
4	34240014	4	Driftfeste		
5	34240015	2	Indre feste		
6	34240037	8	Lager uten hus YET 208 (SKF)		
7	34240040	8	Avstands-/ glide-stykke		
8	34570009	4	Skive 17/50 x 8		
9	34090181	2	Gear vinkel RT90 - 3,1:1 ø35		
10	34240016	2	Gearholder		
11	34090133	2	Hydraulikkmotor ARH 25CD (400 cm³)		
12	34240092	2	Lås for valsegear		
13	34240085	2	Distanse ø48,3 x 3,2 x 20		
14	34240702	8	Låsering I-80		
15	34110015	12	Skr. 6k. DIN 933 M10 x 25-8.8 Ez		
16	34310500	4	Skive spreng DIN 7980 10 mm Ez		
17	34270000	2	Kile pass B10 x 8 x 70		
18	34115600	4	Skr. 6k. DIN 933 M16 x 35-8.8 Ez		
19	34110098	16	Skr. 6k. DIN 931 M10 x 110-8.8 Ez		
20	34302122	32	Skive 10,5 DIN 125 Ez	Washer 10,5 DIN 125 Ez	Scheibe 10,5 DIN 125 Ez
21	34230900	16	Mutter lås DIN 985 M10-8 Ez	Nut lock DIN 985 M10-8 Ez	Schließmutter DIN 985 M10-8 Ez
22	34200202	2	Orepinne 4.5 mm		
23	34210100	2	Splint hårnål 5 mm		
24	34302127	2	Skive 25 DIN 125 Ez	Washer 25 DIN 125 Ez	Scheibe 25 DIN 125 Ez
25	34302125	1	Skive 17 DIN 125 Ez	Washer 17 DIN 125 Ez	Scheibe 17 DIN 125 Ez
26	34110029	4	Skr. syl. DIN 912 M12 x 30-12.9 S		
27	34310600	4	Skive spreng DIN 7980 12 mm Ez		
28	34047011	2	Pakning motor/vinkelgear		
29	34062036	2	Lufthette 1/8" m/ventil		
30	34302159	8	Skive sfærisk 10,5 DIN 74361		
31	34112200	4	Skr. 6k. DIN 931 M20 x 120-8.8 Ez		
32	34233000	4	Mutter lås DIN 985 M20-8 Ez		
33	34302126	8	Skive 21 DIN 125 Ez		



AW 1804S 2001

HJUL 1804



RESERVEDELSLISTE - SPARE PARTS LIST - ERSATZTEILLISTE

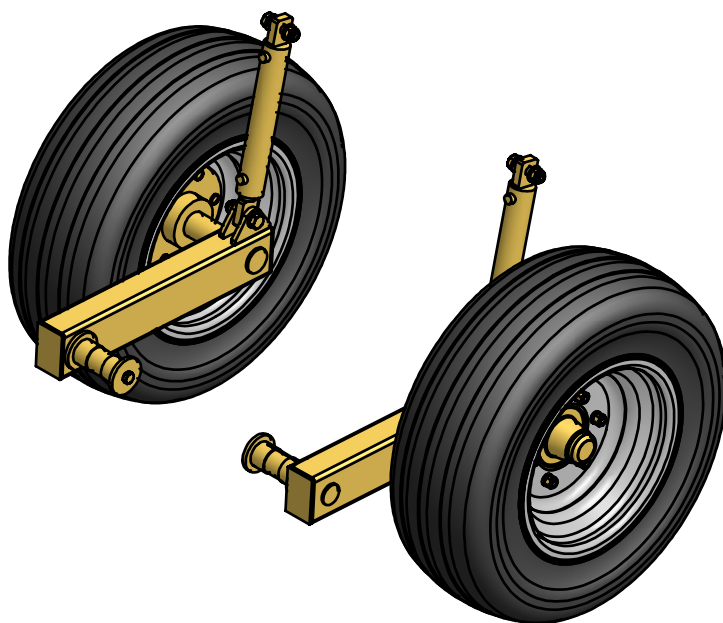
AW 1804S 2001

HJUL 1804

HJUL 1804.idw
30.05.01

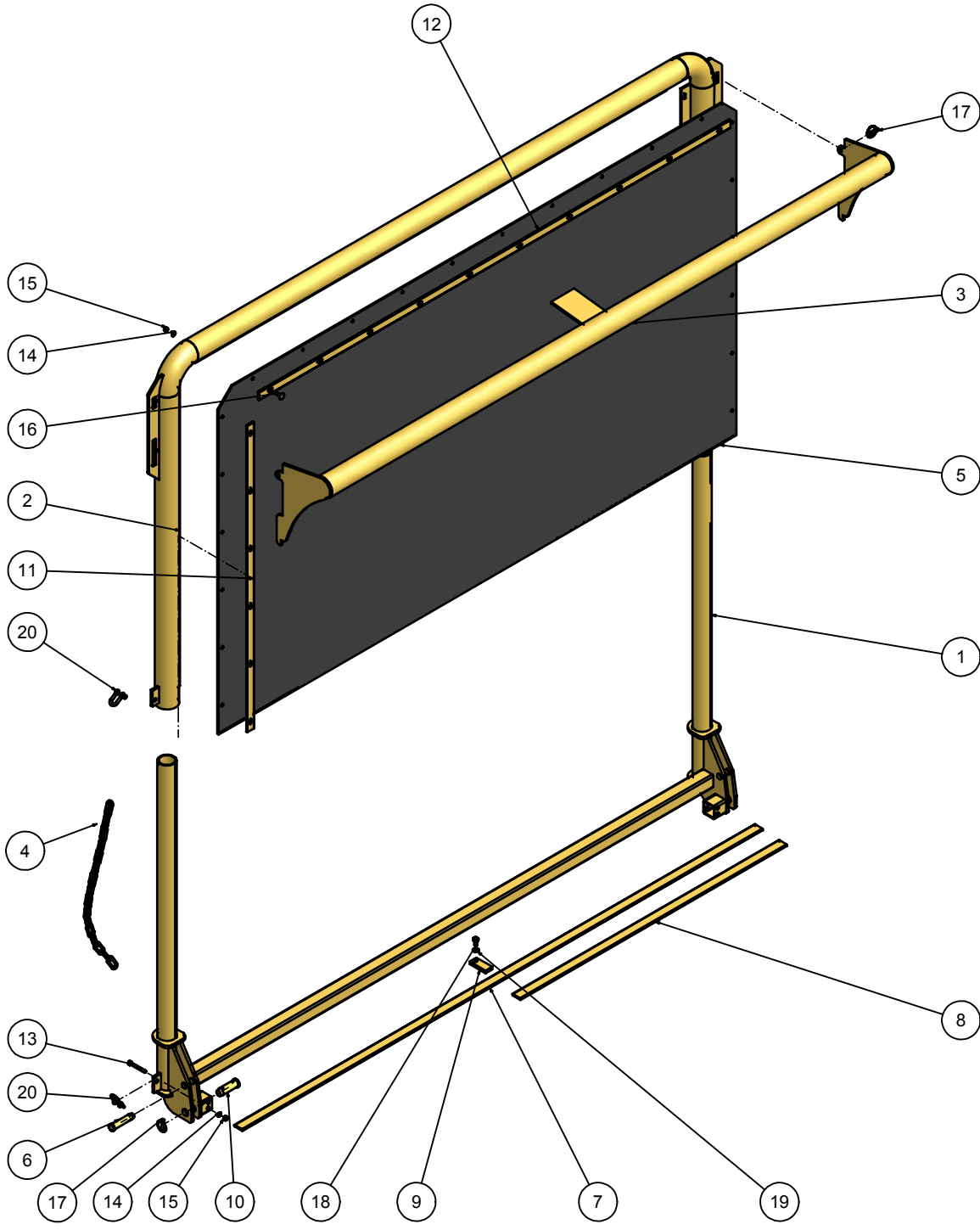
HJUL WHEEL RADWELLE

Item	Part number	Qty	Beskrivelse	Description	Bezeichnung
1	34240077	1	Hjularm høyre		
2	34240086	1	Hjularm venstre		
3	34240029	2	Sylinder FA 50 30 250 H20 H20		
4	34240080	2	Nav 7054 (Røwde)		
5	34710143	2	Navkopp (Røwde)		
6	34240028	2	Mellomring		
7	34240078	2	Dekk 11.5/80-15.3 10L		
8	34240079	2	Felg 9.00-15.3 160-205-6 (Røwde)		
9	34240035	4	Foring for hjulfeste		
10	34240034	2	Mellomring		
11	34240033	2	Monteringskive		
12	34710141	12	Hjulbolt M18 x 1,5 x 50		
13	34710142	12	Hjulmutter M18 x 1,5		
14	34110062	4	Skr. 6k. DIN 931 M20 x 80-8.8 Ez		
15	34233000	4	Mutter lås DIN 985 M20-8 Ez		
16	34302126	8	Skive 21 DIN 125 Ez		
17	34115600	2	Skr. 6k. DIN 933 M16 x 35-8.8 Ez		



AUTOWRAP 1804S

FALLMATTE



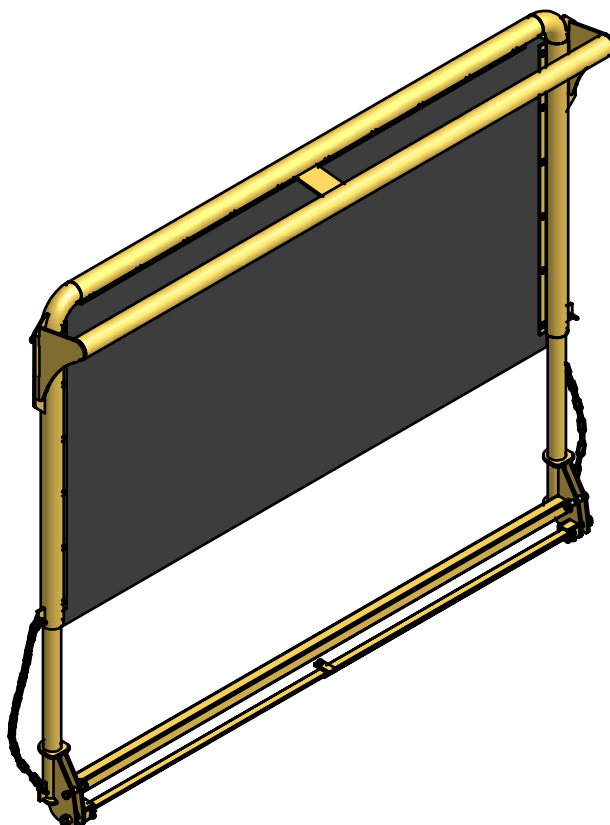
RESERVEDELSLISTE - SPARE PARTS LIST - ERSATZTEILLISTE

AUTOWRAP 1804S

FALLMATTE FALLMATTE FALL MAT

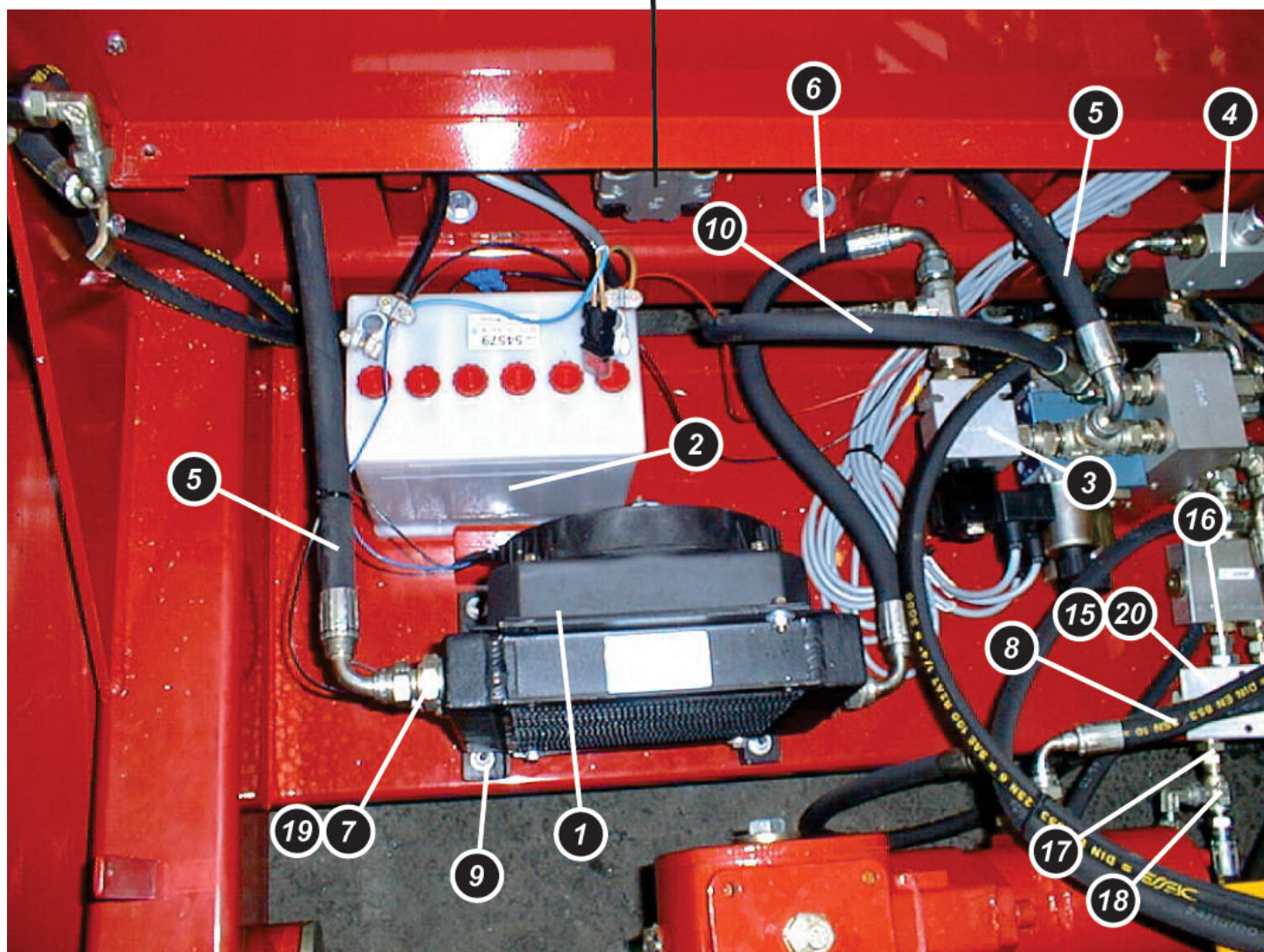
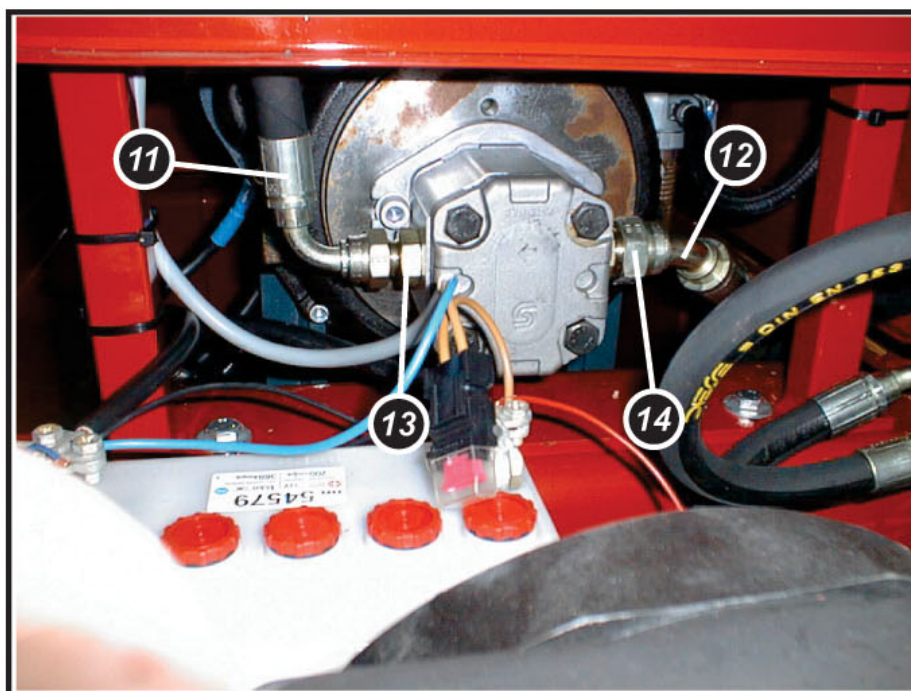
FALLMATTE.idw
15.05.01

Item	Part number	Qty	Beskrivelse	Description	Bezeichnung
1	34240043	1	Ramme for fallduk		
2	34240044	1	Ramme for fallduk løs		
3	34240076	1	Rundballestopper		
4	34801343	2	Kjetting 7 x 42 ledd (ca. 650 mm)		
5	34240083	1	Gummiplate falldemper		
6	34100300	2	Bolt 20 x 70 (95)		
7	34240089	1	Fjær lang		
8	34240090	1	Fjær kort		
9	34240088	1	Holder for fjær		
10	34105669	2	Bolt 25 x 55 (80)		
11	34240094	2	Klemjern fallduk side		
12	34240095	1	Klemjern fallduk ende		
13	34110005	4	Skrue 6k. DIN 931 M8 x 65-8.8 Ez	Bolt hex. DIN 931 M8 x 65-8.8 Ez	
14	34302121	30	Skive 8,4 DIN 125 Ez	Washer 8,4 DIN 125 Ez	Scheibe 8,4 DIN 125 Ez
15	34230500	26	Mutter lås DIN 985 M8-8 Ez	Nut lock DIN 985 M8-8 Ez	
16	34119203	22	Skrue lås DIN 603 M8 x 30		
17	34200100	6	Orepinne 8mm		
18	34110014	1	Skr. 6k. DIN 933 M10 x 20-8.8 Ez		
19	34302122	1	Skive 10,5 DIN 125 Ez	Washer 10,5 DIN 125 Ez	Scheibe 10,5 DIN 125 Ez
20	34800700	4	Sjakkell M8		



AW 1804S 2001

HYDRAULIKK HØYRE SIDE



REVERSERVEDELSLISTE - SPARE PARTS LIST - ERSATZTEILLISTE

AW 1804S 2001

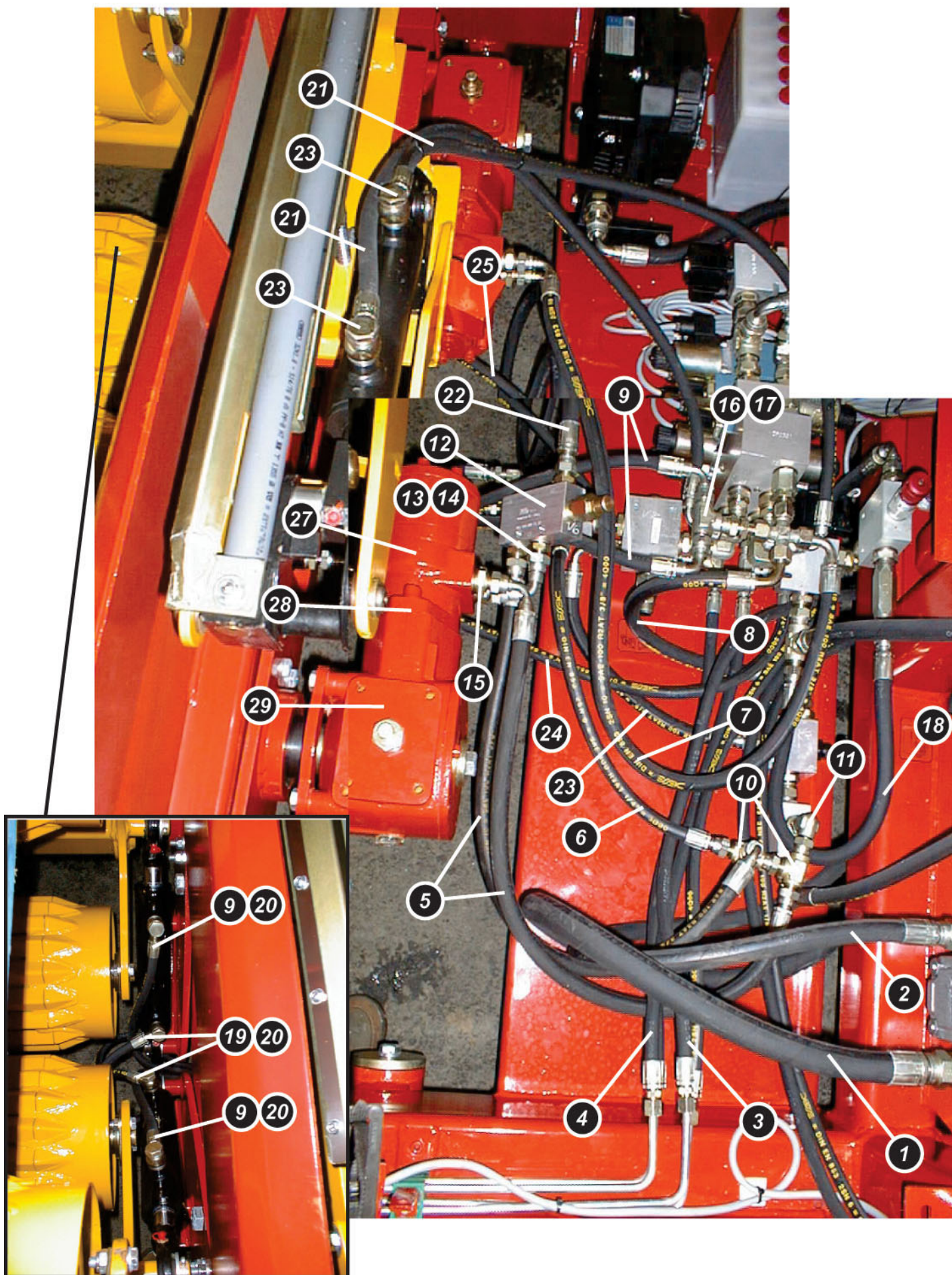
HYDRAULIKK HØYRE SIDE

Hydr-høyre.xls
12.03.03

Item	Part number	Qty	Beskrivelse	Description	Bezeichnung
1	34490228	1	Oljekjøler A15 1E S 12V m/brakett		
2	34090204	1	Batteri 12V		
3	34087785	1	Omløpsventil DS 102 ND		
4	34087784	1	To-trinns ventil DS 103 ND		
5	34051895	2	Hydr. slange 1/2" x 1455 mm		
6	34051921	1	Hydr. slange 1/2" (Oljekjøler)		
7	34061846	2	Ansats 1/2" x 3/4"		
8	34057083	1	Hydr. slange 3/8" x 990 mm		
9	34410800	4	Gummioppheng M8 AK 58236		
10	34051868	2	Hydr. slange 3/8" x 610 mm		
11	34051873	1	Hydr. slange 1/2" x 1510 mm		
12	34051893	1	Hydr. slange 3/4" x 475 mm		
13	34062062	1	Ansats 7/8"UNF SAE x 3/4"BSP		
14	34062061	1	Ansats 1 1/16"UNF SAE x 3/4"BSP		
15	34087300	1	Pilotst.tilb.sl.vent. RPC 06/05-00		
16	34061988	1	Overgang 3/8"utv. x 1/4" svivel		
17	34061805	2	Ansats 1/4" x 3/8"		
18	34061966	1	T-stykke 3/8" utv./ utv./ innv.		
19	34041900	2	Pakning stål DKAZ 3/4"		
20	34087538	1	Ventilhus SE 3/8"		

AW 1804S 2001

HYDRAULIKK VENSTRE SIDE



REVERSERVEDELSLISTE - SPARE PARTS LIST - ERSATZTEILLISTE

AW 1804S 2001

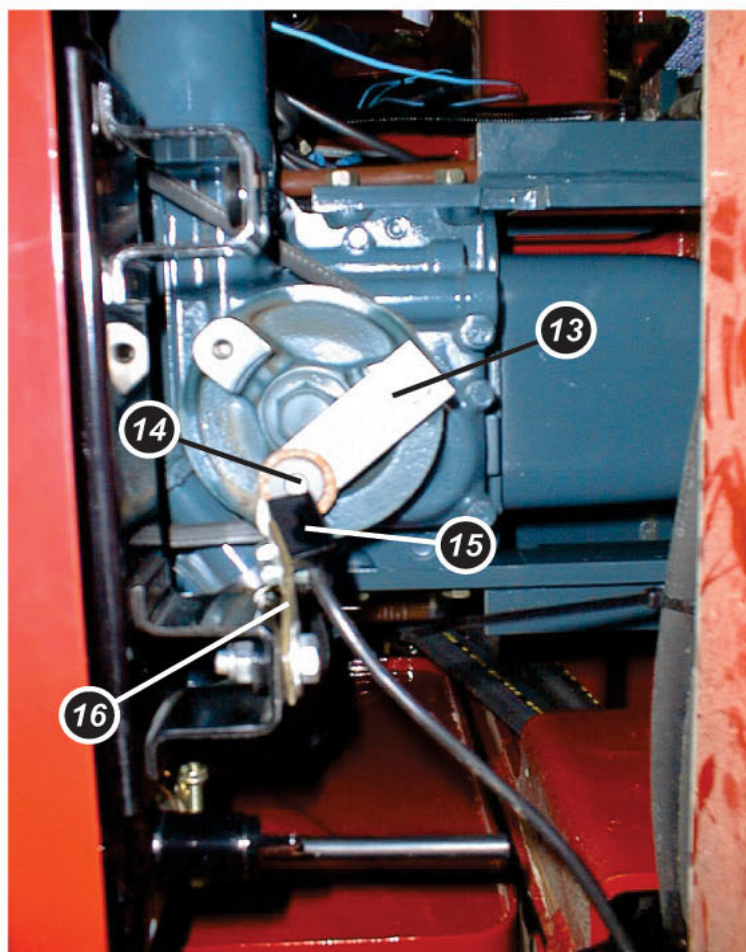
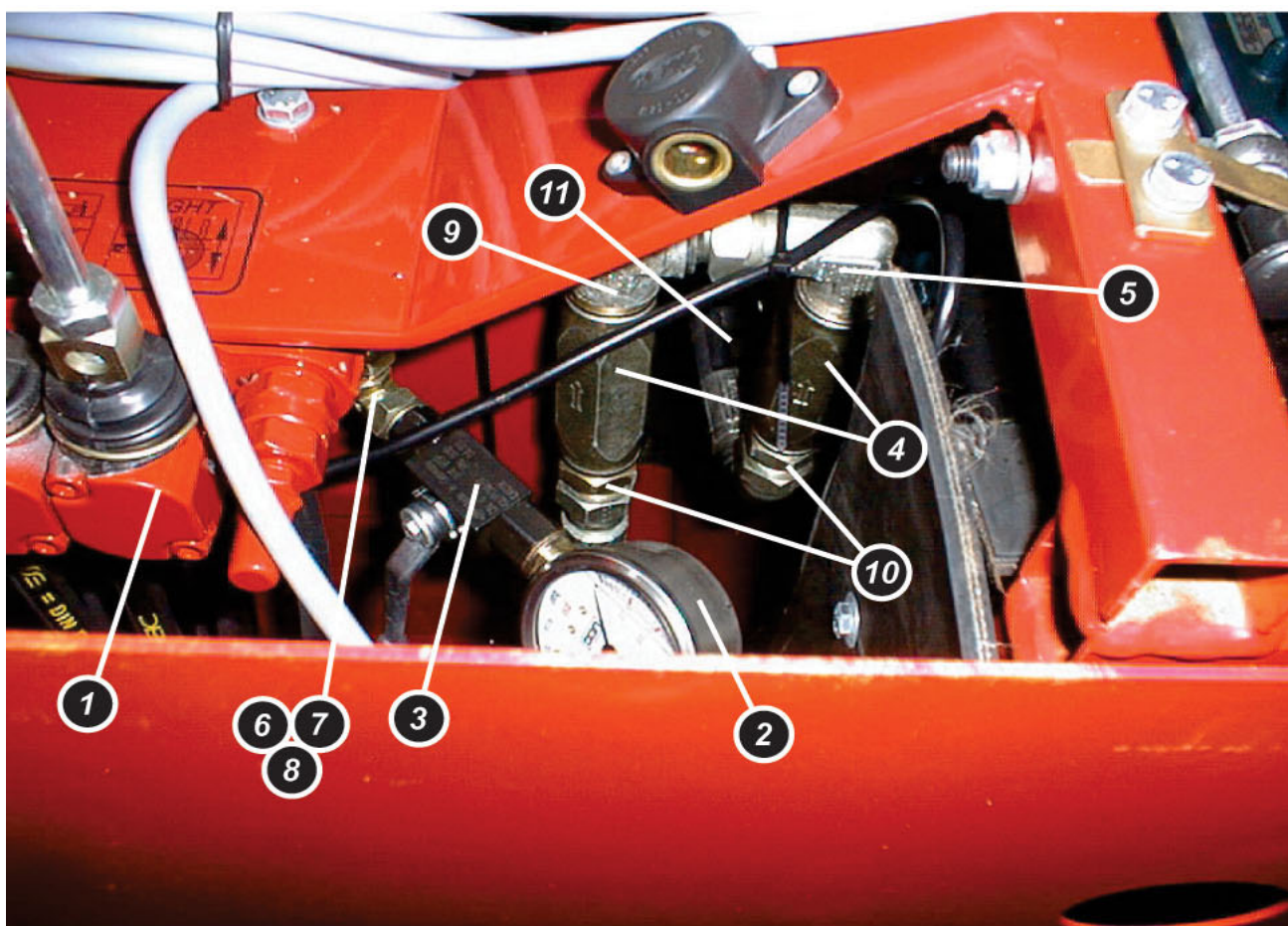
HYDRAULIKK VENSTRE SIDE

Hydr-venstre.xls
12.03.03

Item	Part number	Qty	Beskrivelse	Description	Bezeichnung
1	34057085	1	Hydr. slange 3/4" x 1530 mm		
2	34057086	1	Hydr. slange 1/2" x 2080 mm		
3	34051881	2	Hydr. slange 1/4" x 690 mm		
4	34051867	2	Hydr. slange 1/4" x 1895 mm		
5	34057082	2	Hydr. slange 3/8" x 750 mm		
6	34057084	1	Hydr. slange 1/4" x 460 mm		
7	34057083	1	Hydr. slange 3/8" x 990 mm		
8	34051871	1	Hydr. slange 3/8" x 500 mm		
9	34051878	2	Hydr. slange 1/4" x 840 mm		
10	34061966	2	T-stykke 3/8" utv./ utv./ innv.		
11	34061300	1	Albu 90° 3/8" utv. x 3/8" svivel		
12	34087782	1	Oversenter-ventil A-WB/LL/SE-38/L		
13	34061852	1	Bend 3/8" svivel		
14	34060100	3	Ansats 3/8" x 3/8"		
15	34061809	4	Ansats 1/2" x 3/8"		
16	34061919	1	Innst.tapp SPA 12L-3/8"		
17	34062029	1	T-stykke 3/8" utv./ utv./ innv.		
18	34051868	2	Hydr. slange 3/8" x 610 mm		
19	34051875	2	Hydr. slange 1/4" x 750 mm		
20	34062070	4	Banjobolt 3/8"		
21	34051891	2	Hydr. slange 1/4" x 1050 mm		
22	34051888	1	Hydr. slange 3/8" x 1005 mm		
23	34061835	2	Banjobolt M16 x 1,5		
24	34057870	2	Hydr. slange 3/8" x 410 mm		
25	34051879	1	Hydr. slange 1/4" x 780 mm		
26	34051880	1	Hydr. slange 1/4" x 560 mm		
27	34090133	2	Hydr.motor 400ccm ARH 25CD		
28	34047011	2	Pakning motor/vinkelgear		
29	34090181	2	Gear vinkel RT90 3,1:1 ø35		

AW 1804S 2001

MOTORKASSE



REVERSERVEDELSLISTE - SPARE PARTS LIST - ERSATZTEILLISTE

AW 1804S 2001

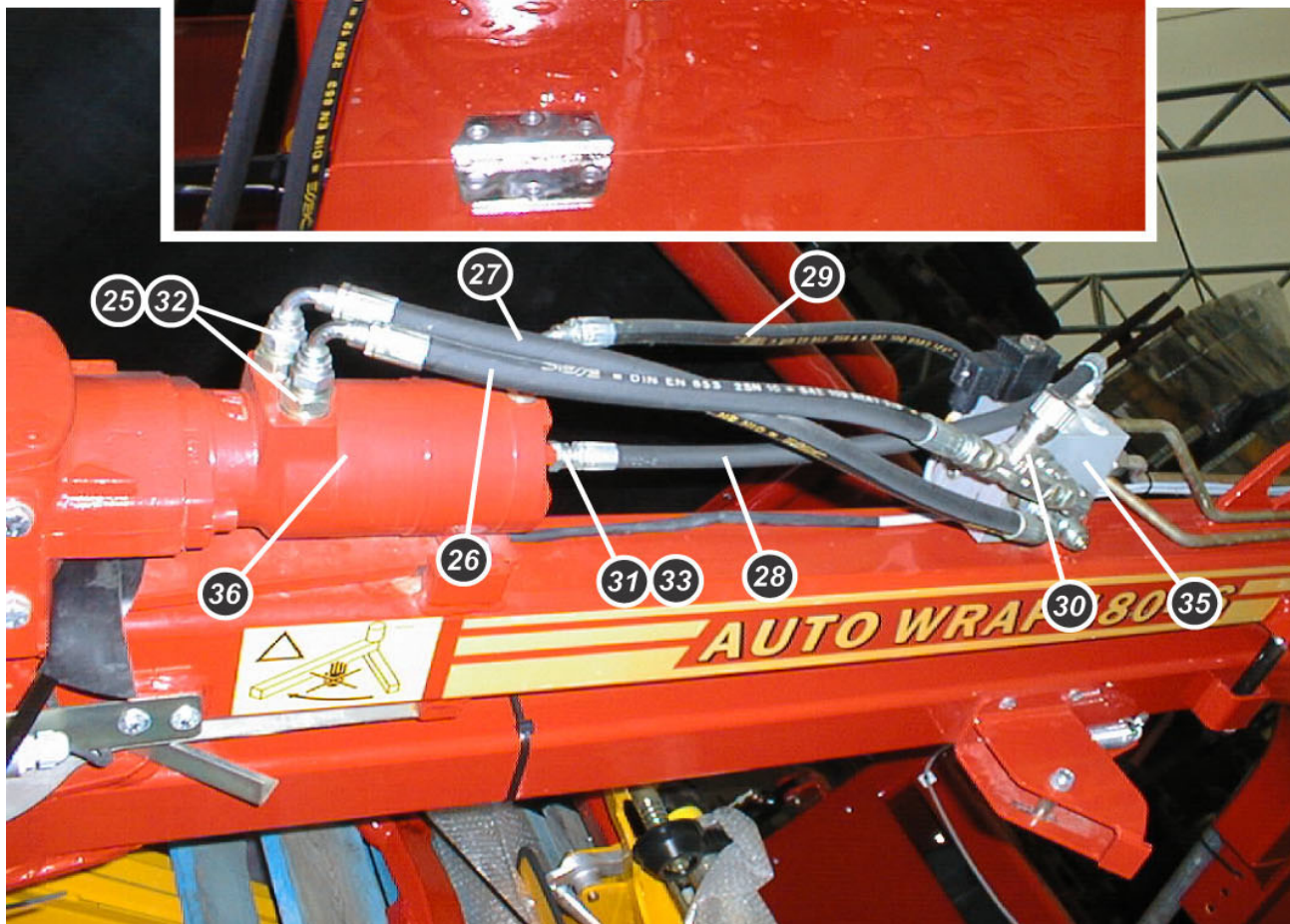
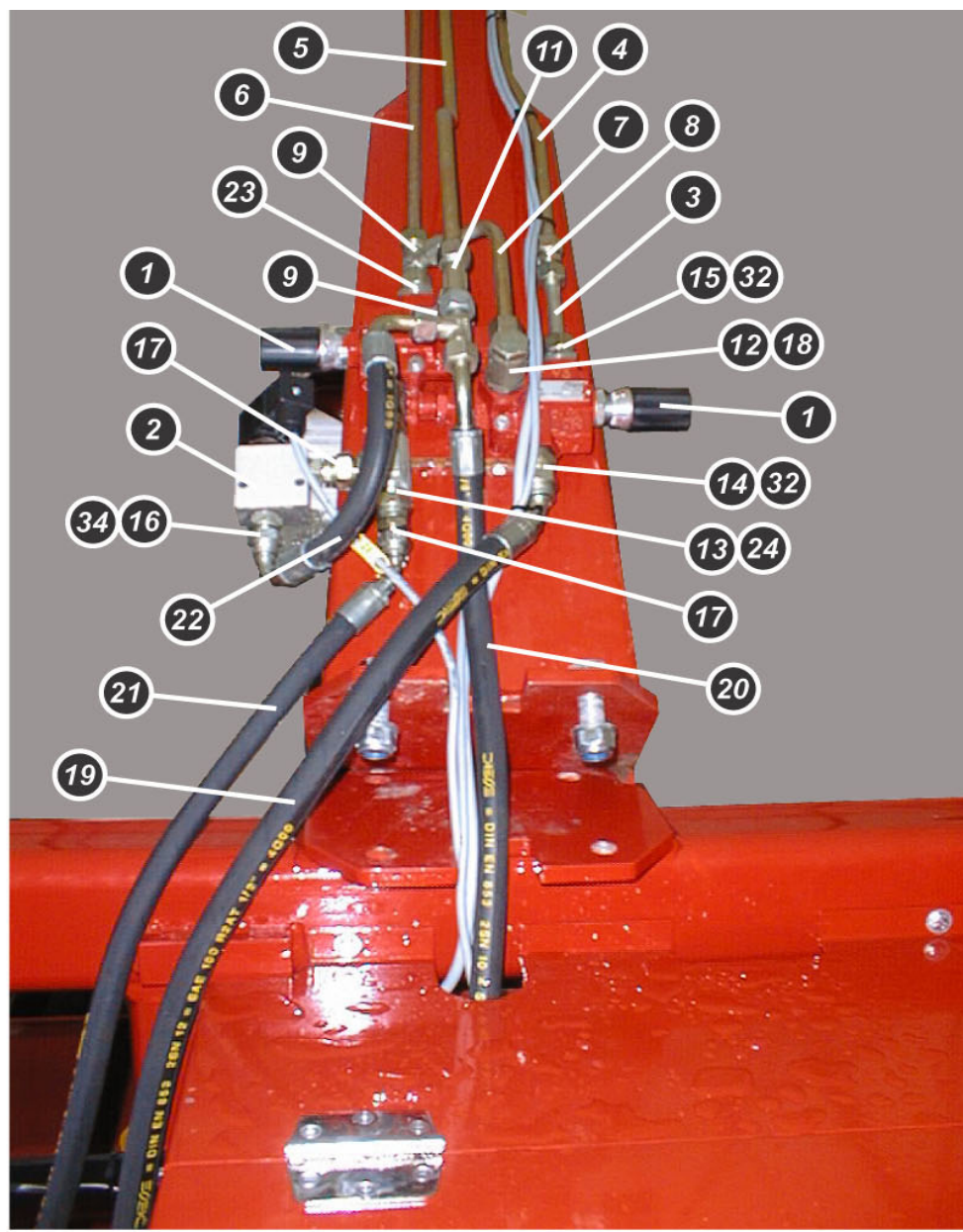
MOTORKASSE

Motorkasse.xls
12.03.03

Item	Part number	Qty	Beskrivelse	Description	Bezeichnung
1	34085541	1	Ventil ML3GZAA1A1A1		
2	34062071	1	Manometer 0-250 bar		
3	34081404	1	Kulekran 1/4"		
4	34087767	2	Tilbakeslagsventil 1/2" innv.		
5	34061916	1	Albu 90° 1/2" utv./ innv.		
6	34061988	1	O. nippel 3/8" utv. x 1/4" svivel		
7	34061986	1	Albu 90° 1/4" utv. x 1/4" svivel		
8	34061803	1	Ansats 1/4" x 1/4"		
9	34061874	1	T-stykke 1/2" utvendig		
10	34061845	2	Ansats 1/2" x 1/2"		
11	34051916	1	Hydr. slange 1/2"		
12					
13	34670173	1	Magnetholder		
14	34950422	1	Magnet Lykke-tronic		
15	34951423	1	Sensor med ledning		
16	34670188	1	Sensorholder		
17	34041800		Pakning stål DKAZ 1/2"		
18	34041600	3	Pakning stål DKAZ 1/4"		

AW 1804S 2001

HYDRAULIKK TÅRN



REVERSERVEDELSLISTE - SPARE PARTS LIST - ERSATZTEILLISTE

AW 1804S 2001

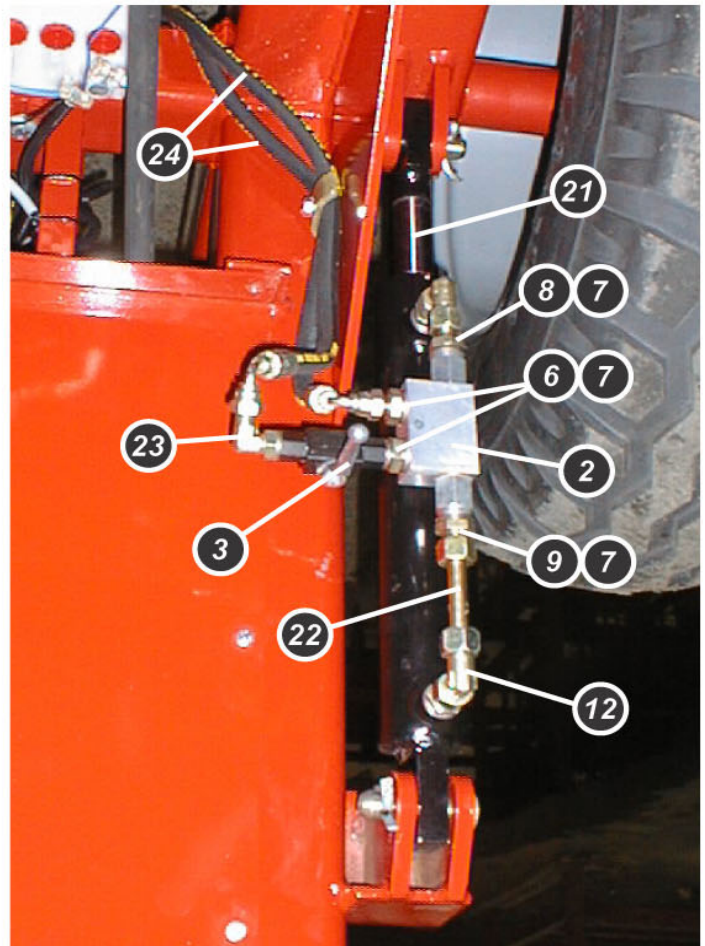
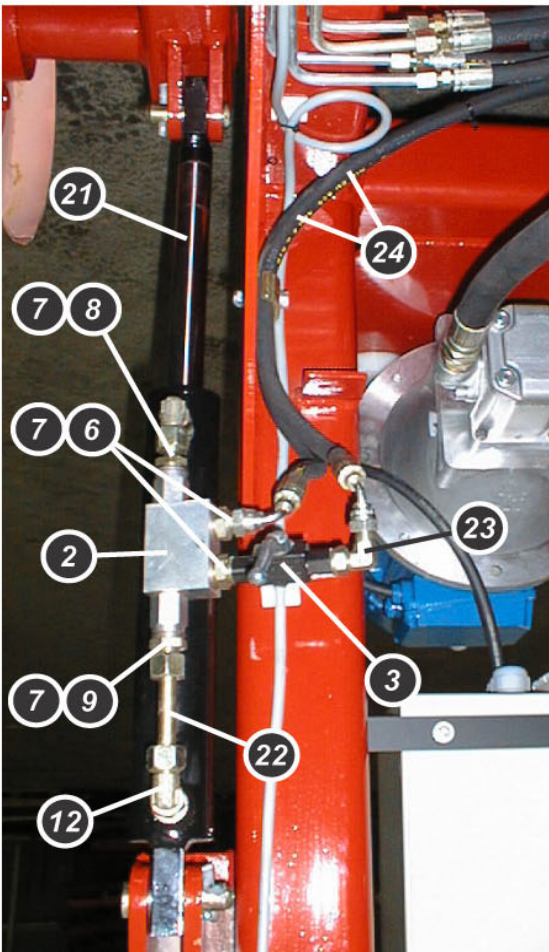
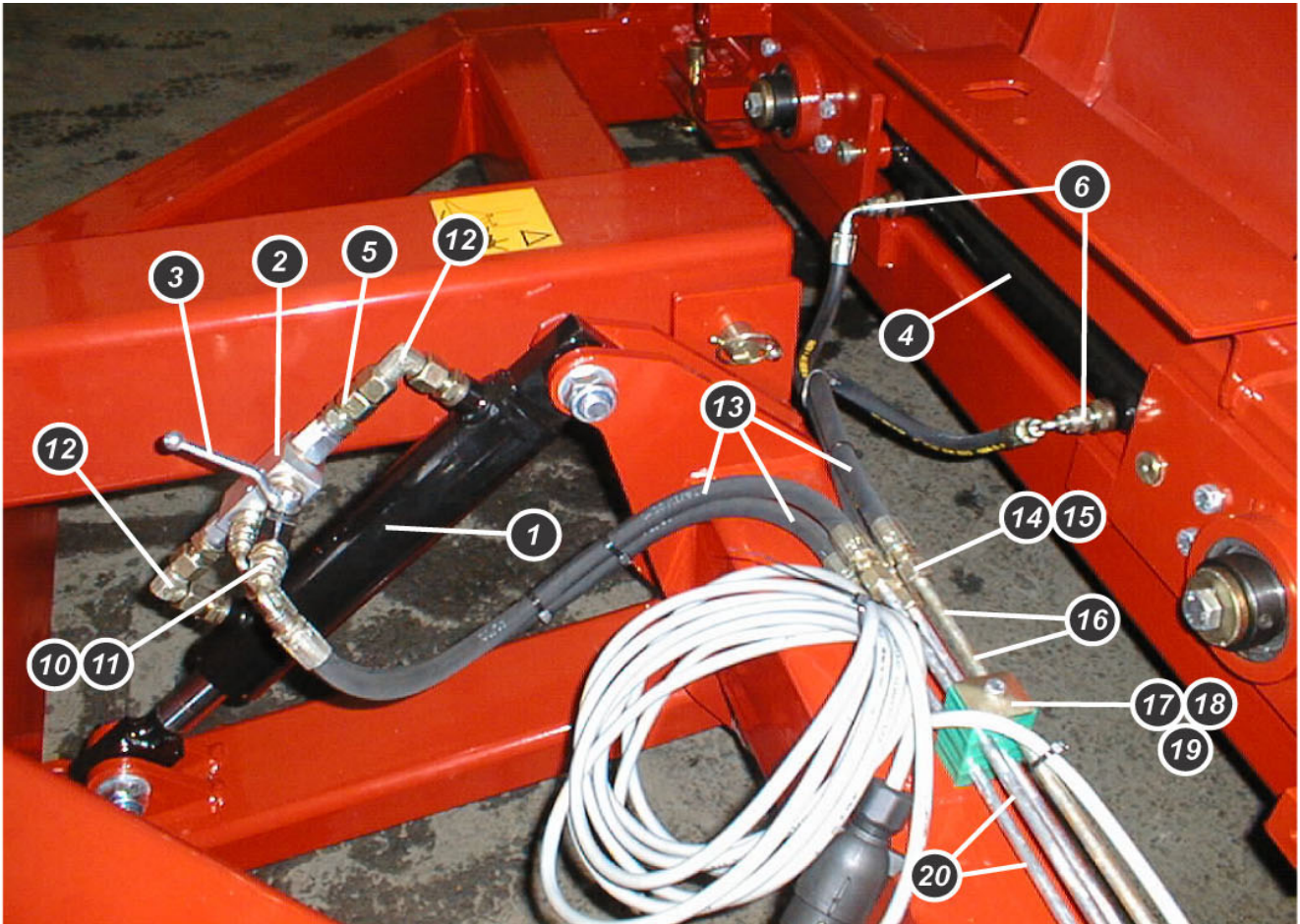
HYDRAULIKK TÅRN

Hydr-tårn.xls
12.03.03

Item	Part number	Qty	Beskrivelse	Description	Bezeichnung
1	34085600	2	Volumkontr. ROQUET 1VCR03R3T		
2	34083100	1	Waterman 12C 1S 3/8"		
3	34160237	1	Mellomrør 12 mm		
4	34160211	1	Rør fra blokk til regulator		
5	34160212	1	Rør fra blokk til tank		
6	34160210	1	Rør fra to-trinn til blokk		
7	34160213	1	Rør mellom regulator		
8	34061815	1	Skjøt G-12-L		
9	34061904	2	T-stykke T-12-L		
10					
11	34061100	1	T-stykke evT-12-L		
12	34062026	1	Banjo SWV 12-M16 x 1,5		
13	34061967	2	T-stykke 1/2" utv./ utv./ innv.		
14	34061845	1	Ansats 1/2" x 1/2"		
15	34061931	5	O. nippel GE-12 1/2"		
16	34060100	1	Ansats 3/8" x 3/8"		
17	34061926	1	O.nippel 3/8" utv. x 1/2" svingel		
18	34061943	1	Ansats 1/2" -M16 x 1,5		
19	34051894	1	Hydr. slange 1/2" x 1465 mm		
20	34051872	1	Hydr. slange 3/8" x 810 mm		
21	34051876	1	Hydr. slange 3/8" x 1400 mm		
22	34050150	1	Hydr. slange 1/2" x 250 mm		
23	34061970	1	Innst. tapp SPA 12-1/2"		
24	34082900	1	Tilb.sl.ventil 1/2" utv. 5558 77 08		
25	34061809	3	Ansats 1/2" x 3/8"		
26	34051917	1	Hydr. slange 3/8"		
27	34051918	1	Hydr. slange 3/8"		
28	34051919	1	Hydr. slange 1/4"		
29	34051920	1	Hydr. slange 1/4"		
30	34085538	1	Strup- tilbakeslags-ventil 3/8"		
31	34061803	2	Ansats 1/4" x 1/4"		
32	34041800	12	Pakning stål DKAZ 1/2"		
33	34041600	2	Pakning stål DKAZ 1/4"		
34	34041700	3	Pakning stål DKAZ 3/8"		
35	34087763	1	Sveivblokk m/revers, komplett		
36	34090200	1	Hydr.motor AR 200 NC25 FPDA		

AW 1804S 2001

HYDRAULIKK STØTTEHJUL



REVERSERVEDELSLISTE - SPARE PARTS LIST - ERSATZTEILLISTE

AW 1804S 2001

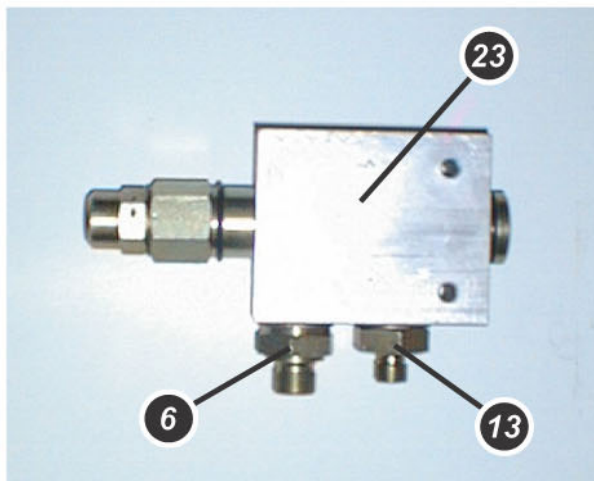
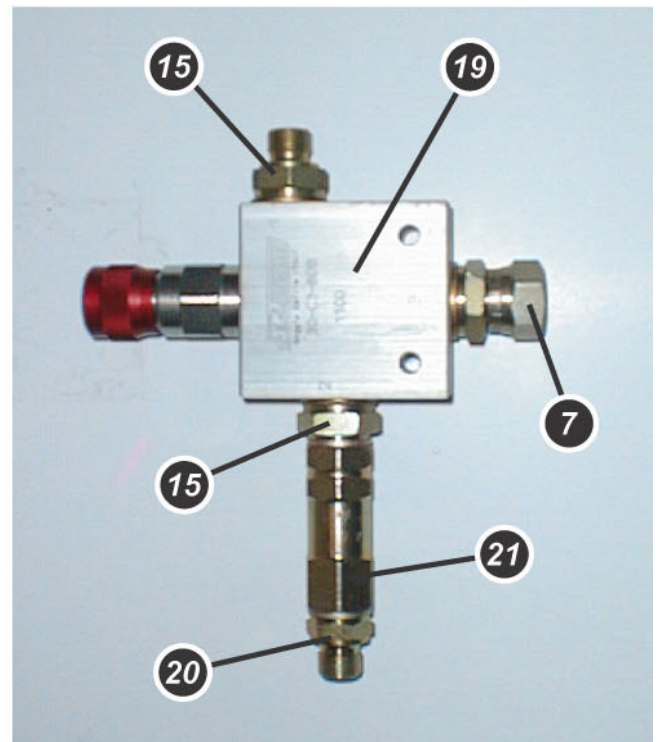
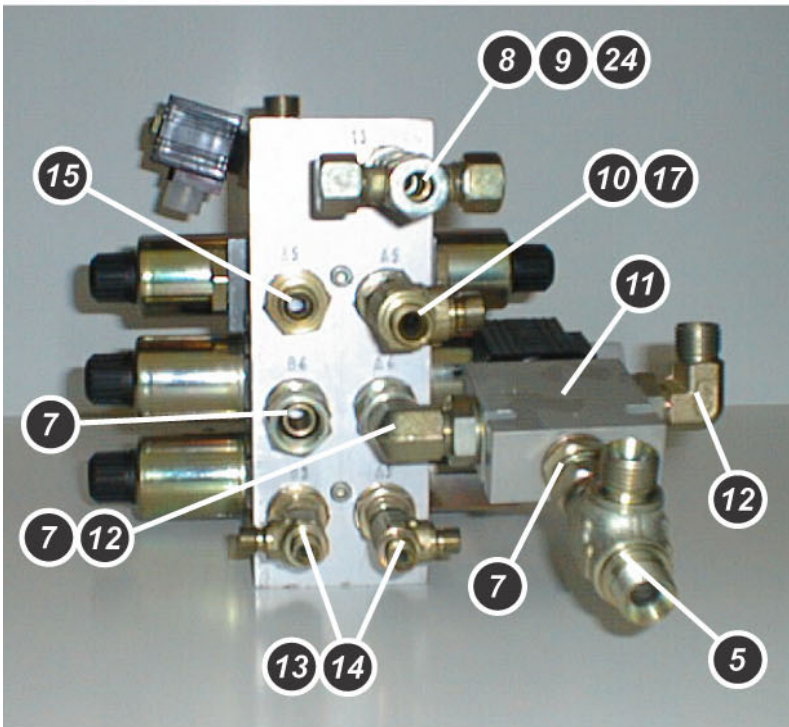
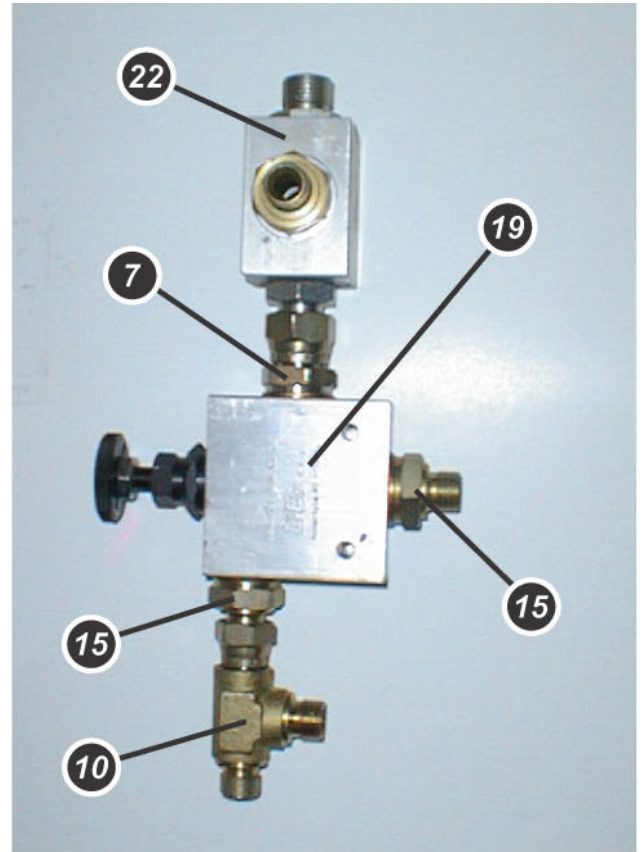
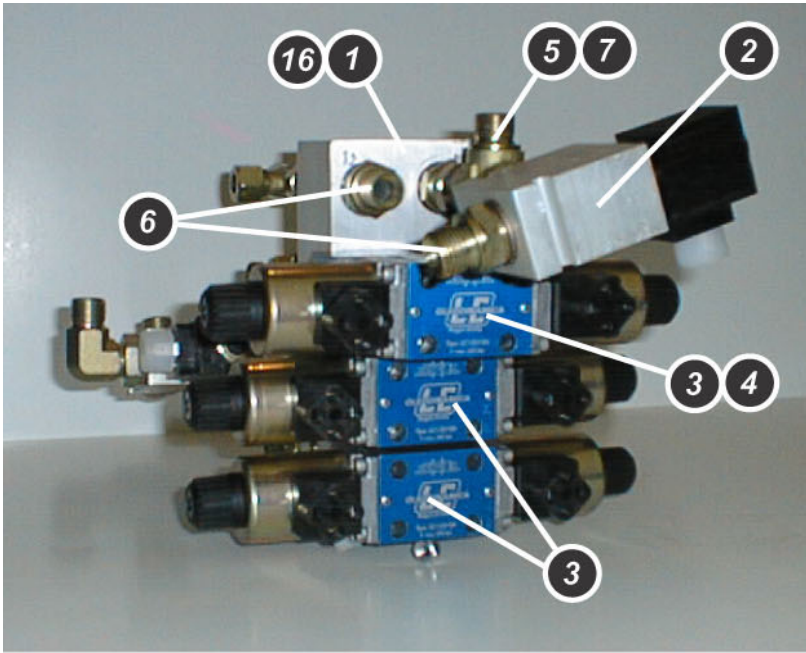
HYDRAULIKK STØTTEHJUL

Hydr-støttehjul.xls
12.03.03

Item	Part number	Qty	Beskrivelse	Description	Bezeichnung
1	34240046	1	Sylinder FA5030200H20H20		
2	34087780	3	Tilbakesl.ventil dobbel LHC720 3/8"		
3	34081404	3	Kuleventil 1/4"		
4	34240031	1	Sylinder FA5030300H20H20		
5	34160235	1	Rør 8 mm, støttebein		
6	34061805	8	Ansats 1/4" x 3/8"		
7	34041700	18	Pakning stål DKAZ 3/8"		
8	34061919	3	Innst.tapp 12-3/8"		
9	34060000	3	Rett kupl. GE-12L-3/8" BSP		
10	34041600	6	Pakning stål DKAZ 1/4"		
11	34061803	3	Ansats 1/4" x 1/4"		
12	34061200	6	Albu, 90° eVW 12L		
13	34051877	4	Hydr. slange 1/4"x595		
14	34062058	4	Snittringsmutter M-8L		
15	34062057	4	Snittring D-8		
16	34160228	2	Rør 8mm, bredde ruller		
17	34260107	4	Topplate dobbel ø6-12 mm		
18	34260113	24	Klembakke dobbel ø8		
19	34119008	4	Skrue 6k. DIN 931 M6 x 60-8.8 Ez		
20	34160229	2	Rør 8mm, støttebein		
21	34240029	2	Sylinder FA5030250H20H20		
22	34160236	2	Rør 8 mm, støttehjul		
23	34061953	2	Stillbar albu 90° 1/4" BSP		
24	34051864	4	Hydr. slange 1/4" x 2250 mm		

AW 1804S 2001

STYREVENTILER



REVERSERVEDELSLISTE - SPARE PARTS LIST - ERSATZTEILLISTE

AW 1804S 2001

STYREVENTILER

Styreventil.xls
12.03.03

Item	Part number	Qty	Beskrivelse	Description	Bezeichnung
1	34087609	1	Styreblokk, tom		
2	34087785	1	Toveisvent. DS102ND012LD8B		
3	34082491	3	LC1-E2 ventil KLP-12V		
4	34084900	1	Dobbel pilotstyrt LC1N-VR/AB.SN1		
5	34061967	1	T. stykke 1/2" utv./ utv./ innv.		
6	34061845	2	Ansats 1/2" x 1/2"		
7	34061868	7	Ansats 1/2"utv./1/2" sv.		
8	34061882	1	Kryss K-12L		
9	34061919	1	Innstillingstapp SPA 12-3/8"		
10	34061300	1	Albu 3/8"utv.-3/8"svivel		
11	34087784	1	Treveisvent. DS103ND012LD8B AL		
12	34062034	2	Stillbar albu 1/2" x 1/2" utv.		
13	34061804	1	Ansats 1/2" x 1/4"		
14	34061965	2	T. stykke 1/4" utv./ utv./ innv.		
15	34061809	5	Ansats 1/2" x 3/8"		
16	34087000	2	Tilbakeslagsventil LC1-VR/P.T(T-C)		
17	34062017	1	Ansats-dyse 1/2" x 3/8" - 1 mm		
18	34041800	20	Pakning stål DKAZ 1/2"		
19	34087781	2	Volumv. m/hus VRF/CN/3V-RP/C-12		
20	34060100	1	Ansats 3/8" x 3/8"		
21	34083300	1	Tilbakeslagsventil 3/8" inv.		
22	34087783	1	Skyttelventil FLF 002 1/2"		
23	34085540	1	Vent. VDP06/4201A-E-2-00 1/2" hus		
24	34061811	1	Overgang 1/2" utv. x 3/8" inv.		

13.0 WARRANTY TERMS.

- 13.1 TELLEFSDAL A.S. warrants the NORSE AUTO WRAP 1804 S / TWIN bale wrapping machines for 12 full months from the date of purchase.
- 13.2 During the warranty period TELLEFSDAL A.S will repair, replace or test any parts proved to be defective in material or construction.
- 13.3 Before comprehensive warranty services are done, the warranty claim has to be agreed upon with TELLEFSDAL A.S.

By approval of warranty claims TELLEFSDAL A.S covers all repair costs.

Freight costs and all personal travel costs are normally the responsibility of the dealer.

Before repairing the machine locally the terms of compensation have to be agreed upon between the buyer and the manufacturer.

Compensation for defective parts corresponds to the current spare parts price-list, minus normal discount.

If the warranty claim should be rejected, TELLEFSDAL A.S is not responsible for expenses incurred.

- 13.4 All claims **must be presented in written form**, on a fixed NOTICE OF CLAIM, and enclosed a copy of the warranty card, properly filled in. Guarantee claimed parts also have to be enclosed. All return shall be agreed upon before sending, and marked with serial number on the machine and the name and address of the dealer. Freight costs for returned parts have to be paid by the buyer.

- 13.5 The NORSE warrantee is **NOT** valid if:

- a) The warrantee card has not been filled out and a copy is not enclosed with the claim.
- b) The user's manual and safety instructions have not been followed.
- c) The machine has been misused, abused or carelessly operated.
- d) The machine is modified by welding or by attachments of not original parts and pieces. It has been serviced by persons, who are unauthorized by Tellefsdal A.S.
- e) The machine is re-programmed to contribute more than what is programmed at the factory.
(Max. 27 rpm).

- 13.6 TELLEFSDAL A.S IS NOT responsible for lost working time or lost revenue that has resulted because of a defect in the machine.

- 13.7 The buyer can not claim a cancellation the purchase, a price-reduction or any other claims, if TELLEFSDAL A.S, within reasonable time, repairs the machine.

- 13.8 The buyer is granted credit on warranty claims AFTER approval from TELLEFSDAL A.S. Deductions of credits on current invoices is not accepted without prior agreement.

WARRANTY CARD NORSE AUTO WRAP

Serial number of machine: _____ Type: _____

Serial number of control unit: _____

Production year: _____

Purchase date: _____

WE HAVE READ AND ACCEPT THE CURRENT WARRANTY TERMS.

Importer: _____
Date Firm Signature

Dealer: _____
Date Firm Signature

Customer: _____
Name Address

Signature

HAVE YOU GOT ENOUGH TRAINING ABOUT
THE MACHINE FROM YOUR DEALER?

YES

NO